



# Project 01

## 10x10 leds chaser

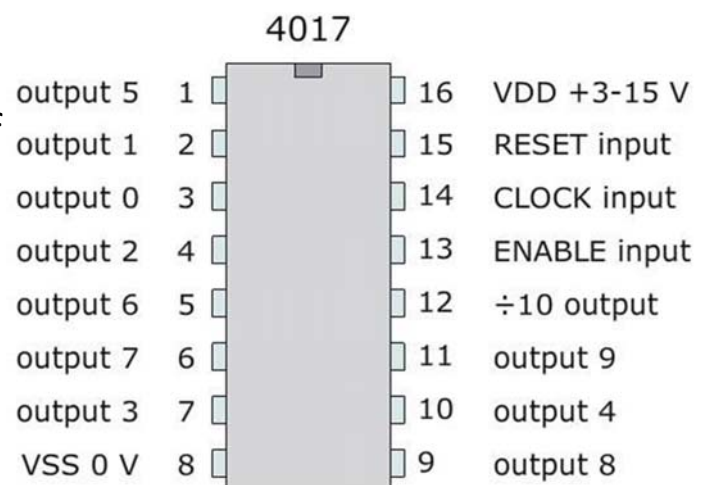
By:

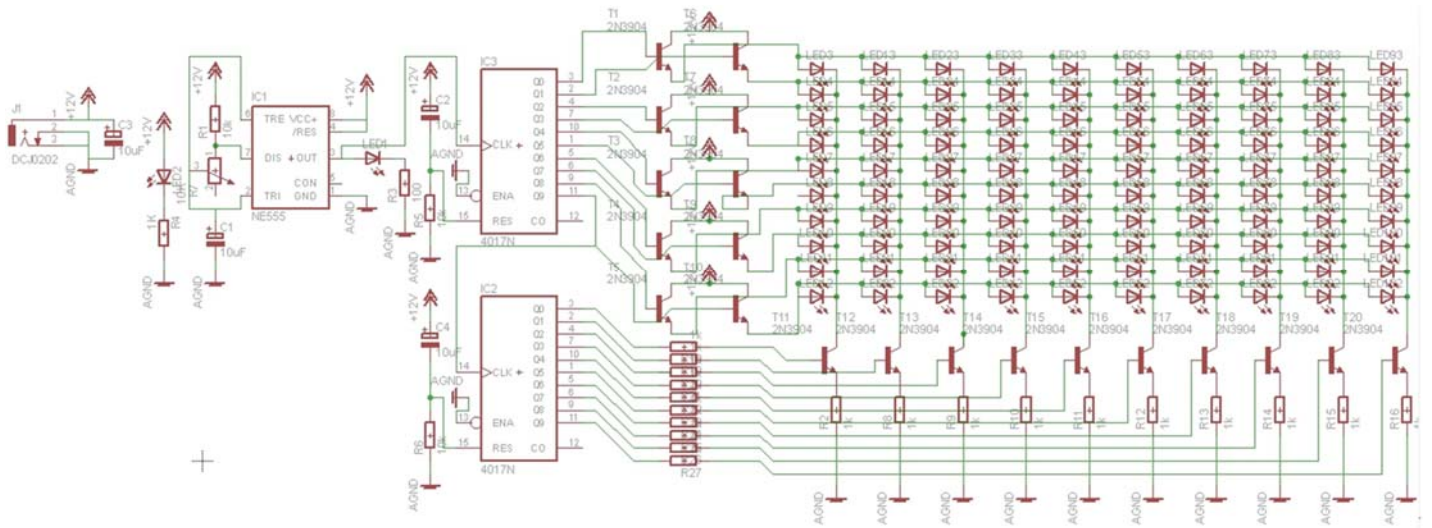
**Dr. Ahmed ElShafee**

Dr. Ahmed ElShafee, ACU : Spring 2018, EEP04 Practical Applications in Electrical Engineering 4

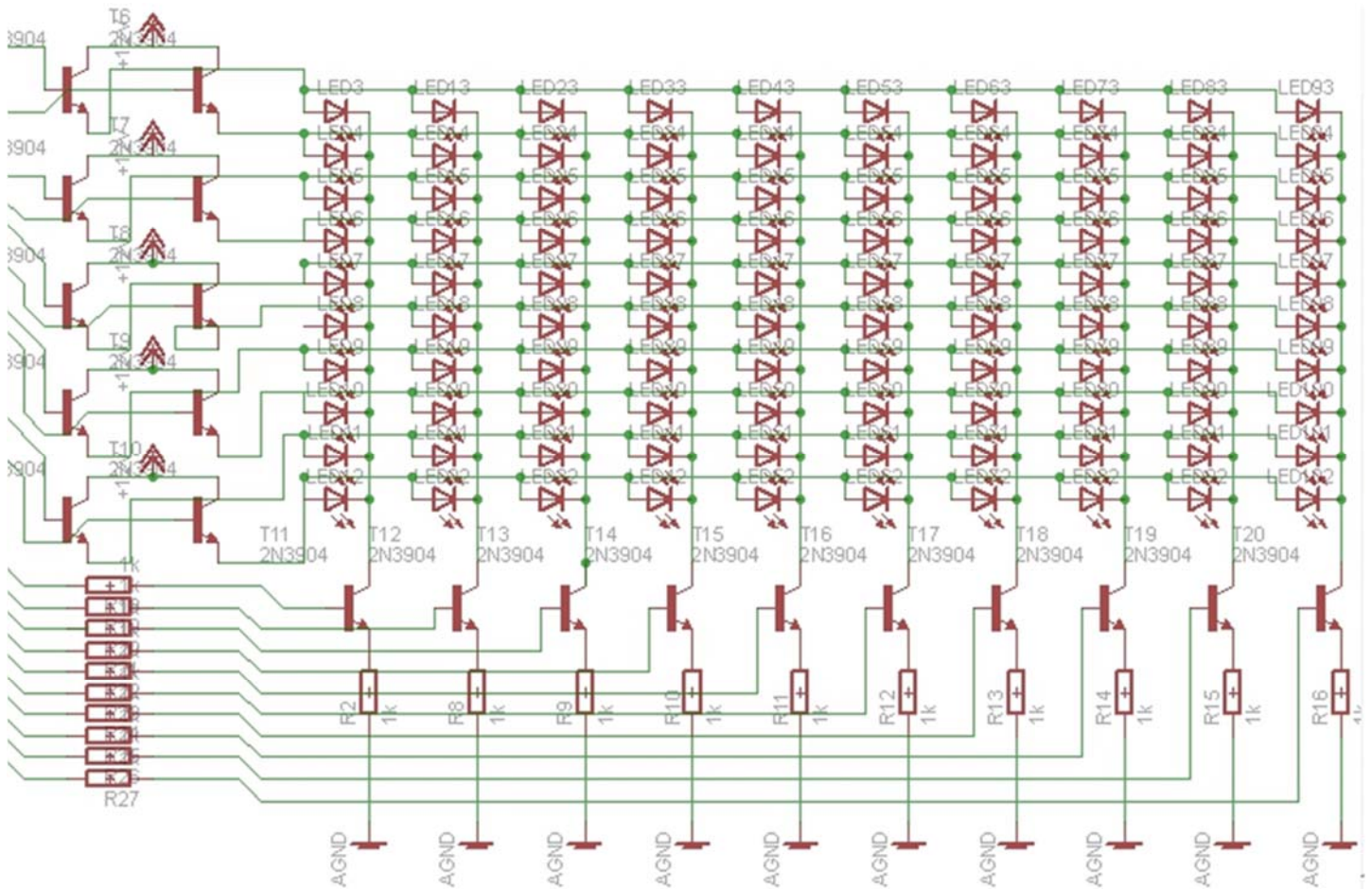
## CD4017 IC

- It is a CMOS decade counter cum decoder circuit which can work out of the box for most of our low range counting applications. It can count from zero to ten and its outputs are decoded





Dr. Ahmed ElShafee, ACU : Spring 2018, EEP04 Practical Applications in Electrical Engineering 4



Dr. Ahmed ElShafee, ACU : Spring 2018, EEP04 Practical Applications in Electrical Engineering 4

