



Lecture (05.01)
**PCB design with eagle (0-9
counter)**

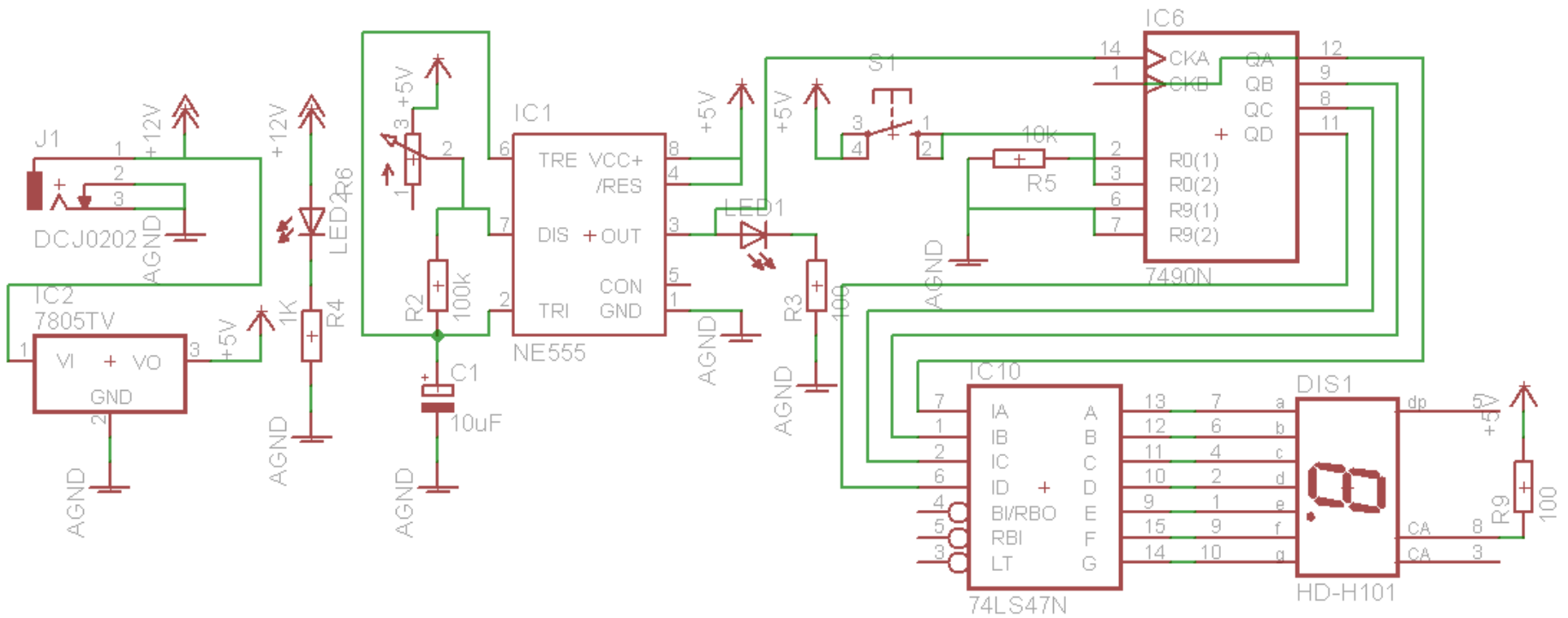


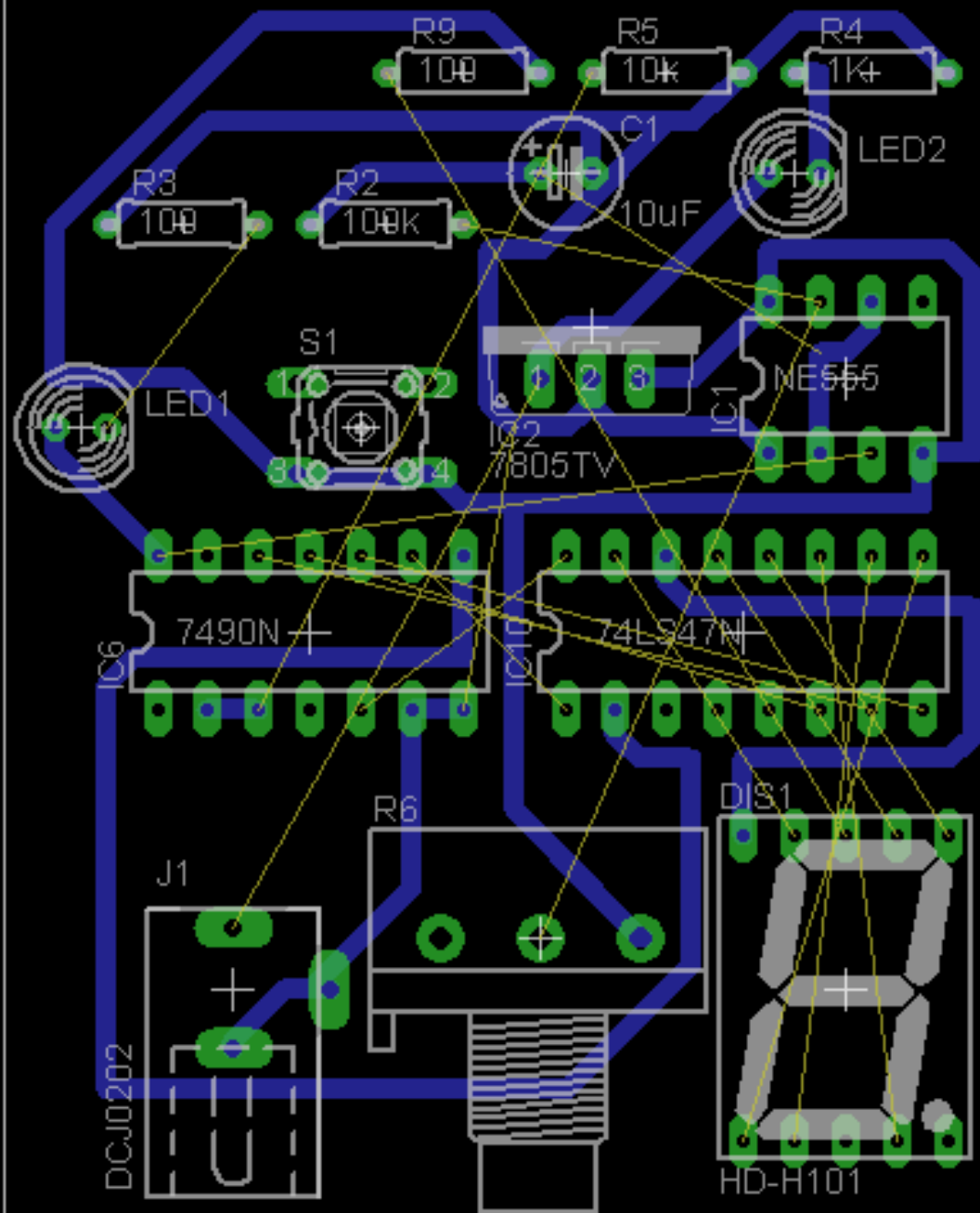
By:

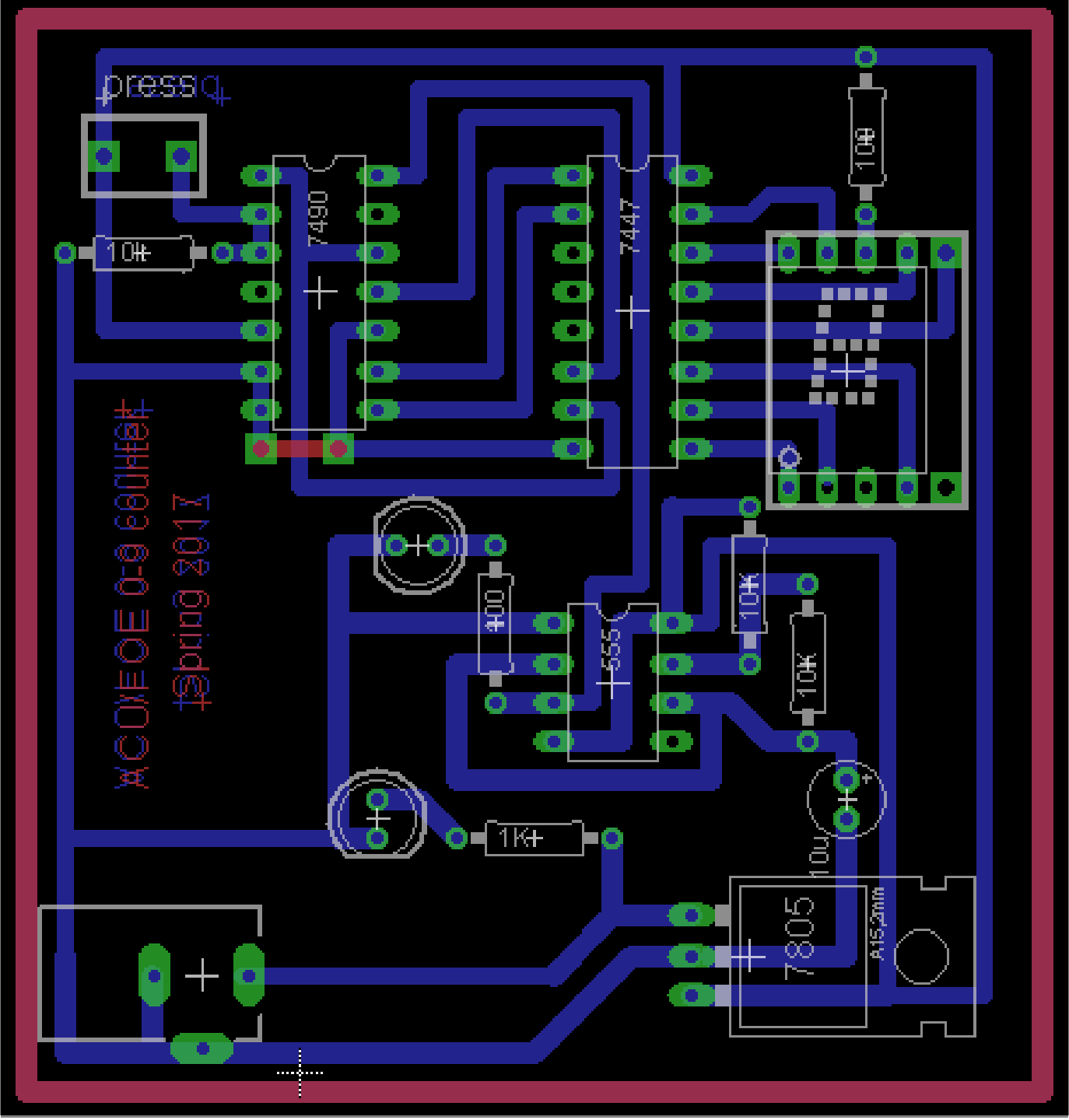
Dr. Ahmed ElShafee

Dr. Ahmed ElShafee, ACU : Spring 2017, Practical App EE

0-9 counter







•

•



Thanks,..
See you next week (ISA),...