



Lecture (02)

4 channels selector using 4066 Quad Bilateral Switch



By:

Dr. Ahmed ElShafee

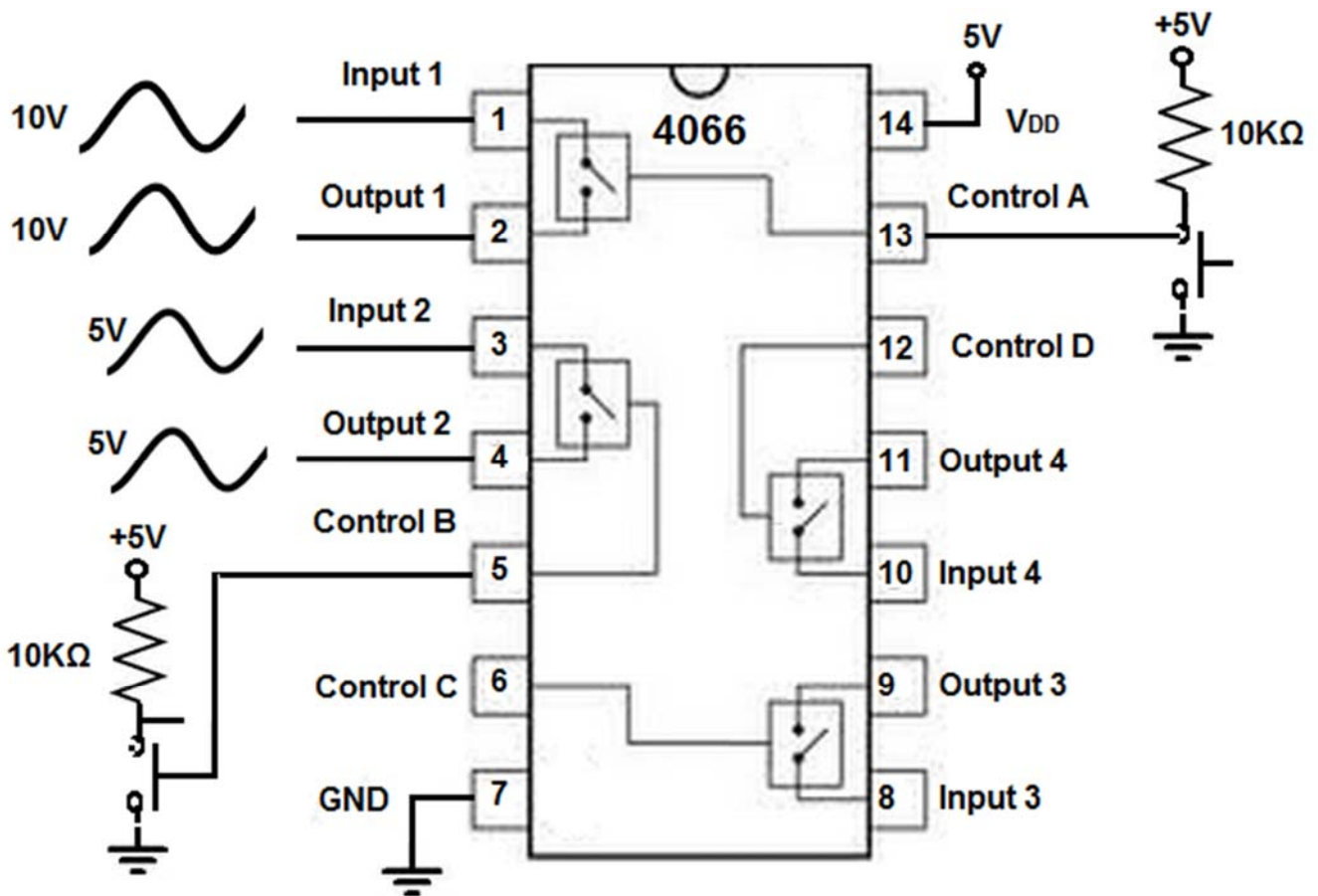
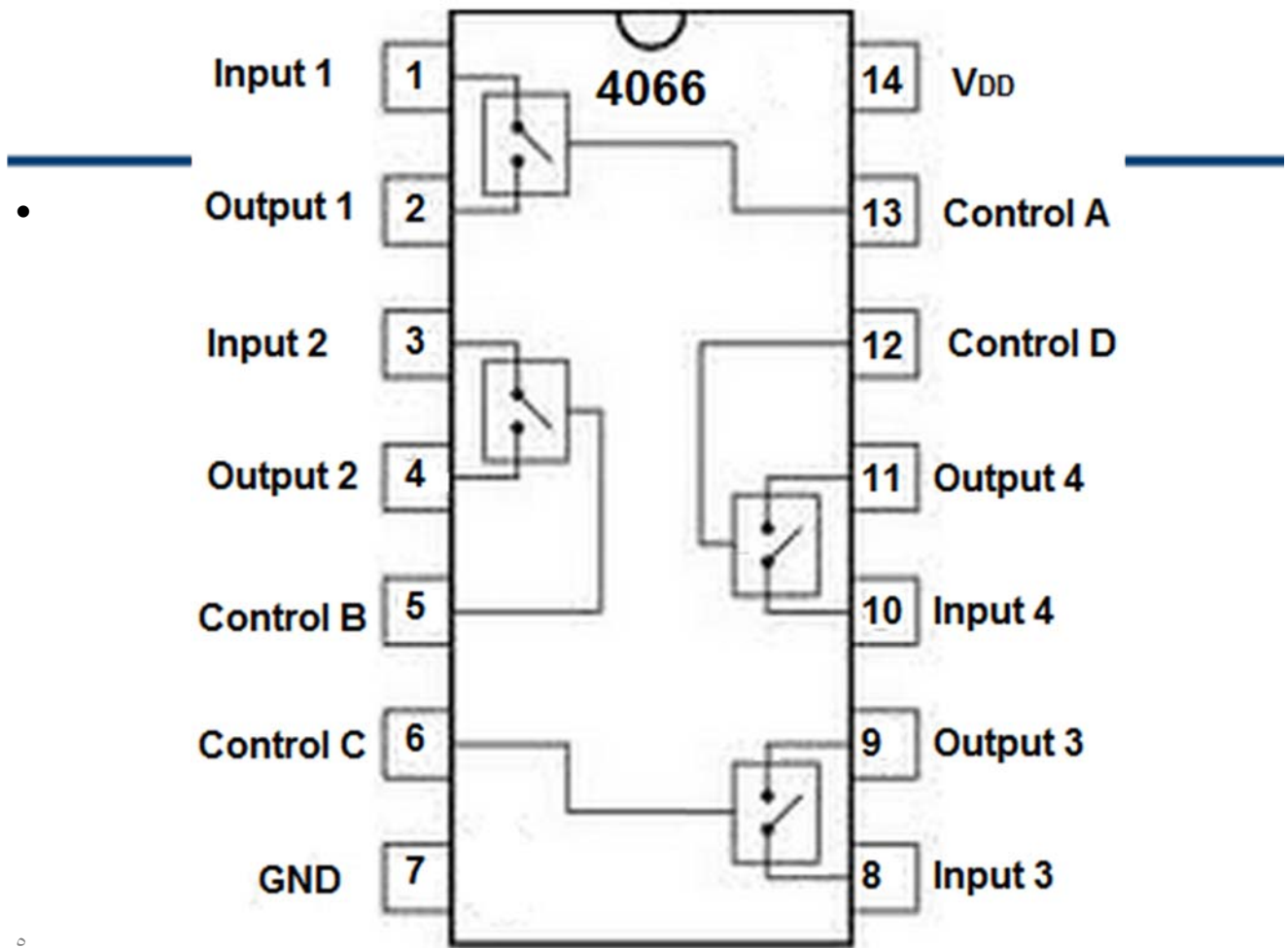
Dr. Ahmed ElShafee, ACU : Spring 2017, Practical App EE
IV

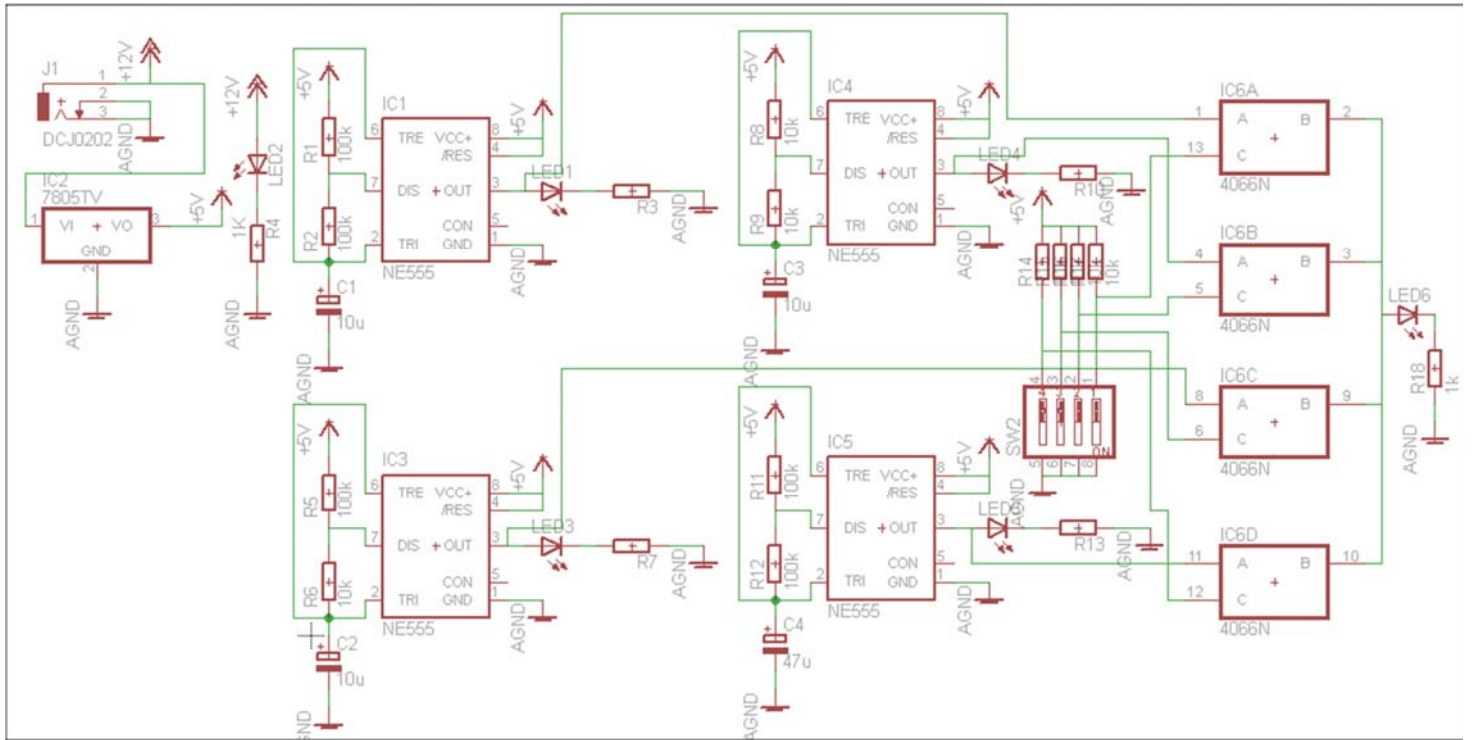
4066 Quad Bilateral Switch



-
- The 4066 functions as an analog switch.
 - The 4066 is an IC composed of switches which are designed to switch analog signals via digital control.
 - What this means is we feed an analog signal into the input of the switch and it reaches the output only if a HIGH digital signal is fed into the control (or enable) terminal.
 - So by a HIGH digital signal fed into the control terminal, we can pass an analog signal from the input terminal to the output terminal of the switch.

-
- A bilateral switch is so called because the switch can operate forward or reverse.
 - This means that either side of the switch can be used as the input.
 - So current can flow in one direction and the other direction, depending on which side is the input.
 - The 4066 is a quad bilateral switch circuit, meaning that is composed of 4 switches.





Y

Dr. Ahmed ElShafee, ACU : Spring 2017, Practical App EE IV



**Thanks,..
See you next week (ISA),...**

Dr. Ahmed ElShafee, ACU : Spring 2017, Practical App EE IV