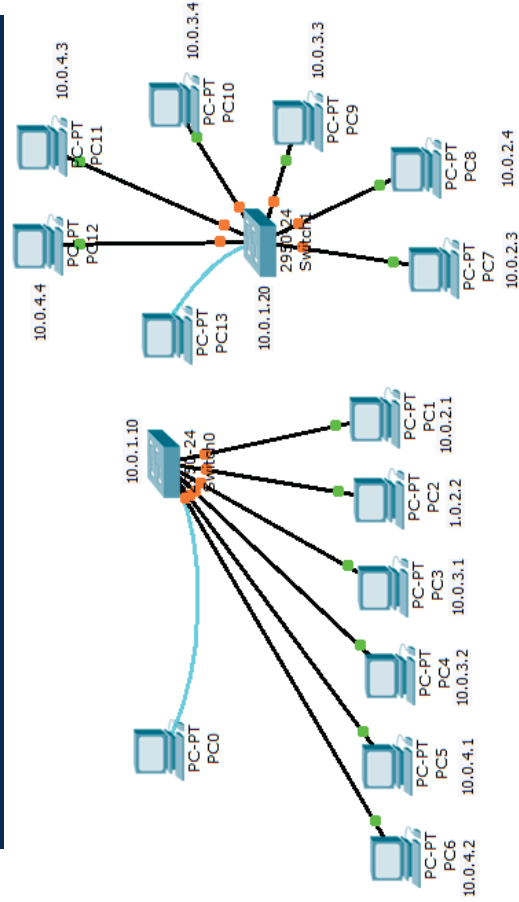


Lecture (05) Connecting multiple switches (II)

Dr. Ahmed M. ElShafee

Topology



5.0 Build two LANs having same VLANs

PC7		PC8		PC10	
item	Configuration	item	Configuration	item	Configuration
Gateway	auto	Gateway	auto	Gateway	auto
DNS	auto	DNS	auto	DNS	auto
Port status	On	Port status	On	Port status	On
Band width	auto	Band width	auto	Band width	auto
Duplex	auto	Duplex	auto	Duplex	auto
IP	10.0.2.3	IP	10.0.2.4	IP	10.0.3.4
Mask	255.255.0.0	Mask	255.255.0.0	Mask	255.255.0.0

PC9		PC11		PC12	
item	Configuration	item	Configuration	item	Configuration
Gateway	auto	Gateway	auto	Gateway	auto
DNS	auto	DNS	auto	DNS	auto
Port status	On	Port status	On	Port status	On
Band width	auto	Band width	auto	Band width	auto
Duplex	auto	Duplex	auto	Duplex	auto
IP	10.0.3.3	IP	10.0.3.3	IP	10.0.3.4
Mask	255.255.0.0	Mask	255.255.0.0	Mask	255.255.0.0

item	Configuration	item	Configuration
PC1 1	Gateway	auto	auto
	DNS	auto	auto
	Port status	On	On
	Band width	auto	auto
	Duplex	auto	auto
	IP	10.0.4.3	10.0.4.4
Mask	255.255.0.0	Mask	255.255.0.0

Dr. Ahmed ElShafiee, ACU Spring 2014, Practical Applications in Computer Networks

```

interface fa0/4
switchport mode access
switchport access vlan 3

interface fa0/5
switchport mode access
switchport access vlan 4

interface fa0/6
switchport mode access
switchport access vlan 4

end
copy running-config startup-config

```

Dr. Ahmed ElShafiee, ACU Spring 2014, Practical Applications in Computer Networks

```

[switch0]
*****
enabl
config t
hostname FL00-R01-SW01
banner motd #Hello & Welcome to
Practical Applications on Networl - Lecture
04#

line vty 0 4
password cisco
login

line console 0
password cisco
login

enable password cisco

enable secret cisco1

interface vlan 1
ip address 10.0.1.10 255.255.0.0
no shutdown

interface range fa0/1-6
speed auto
duplex auto

vlan 2
name Finance

vlan 3
name HR

vlan 4
name Administration

interface fa0/1
switchport mode access
switchport access vlan 2

interface fa0/2
switchport mode access
switchport access vlan 2

interface fa0/3
switchport mode access
switchport access vlan 3

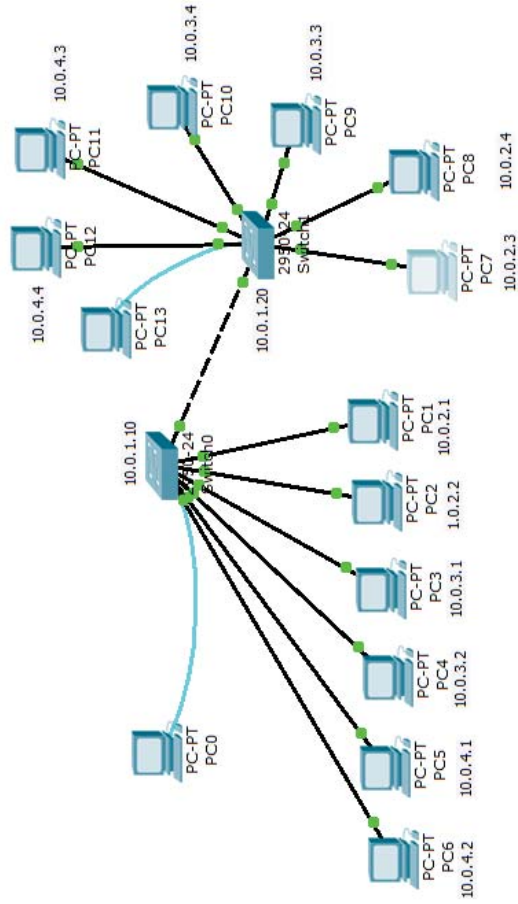
```

5.1

Connecting switches

Dr. Ahmed ElShafiee, ACU Spring 2014, Practical Applications in Computer Networks

Topology



```

FL00-R01-SW01#ping 10.0.1.20
Type escape sequence to abort.
Sending 5, 100-byte ICMP Echos to 10.0.1.20, timeout is 2 seconds:
.....
Success rate is 60 percent (3/5), round-trip min/avg/max = 4/4/4 ms

FL00-R01-SW01#ping 10.0.0.20
Type escape sequence to abort.
Sending 5, 100-byte ICMP Echos to 10.0.0.20, timeout is 2 seconds:
.....
Success rate is 0 percent (0/5)

FL00-R01-SW01#ping 10.0.1.20
Type escape sequence to abort.
Sending 5, 100-byte ICMP Echos to 10.0.1.20, timeout is 2 seconds:
.....
Success rate is 60 percent (3/5), round-trip min/avg/max = 4/4/4 ms

FL00-R01-SW01#ping 10.0.20.1
Type escape sequence to abort.
Sending 5, 100-byte ICMP Echos to 10.0.20.1, timeout is 2 seconds:
.....
Success rate is 0 percent (0/5)

FL00-R01-SW01#ping 10.0.30.1
Type escape sequence to abort.
Sending 5, 100-byte ICMP Echos to 10.0.30.1, timeout is 2 seconds:
.....
Success rate is 0 percent (0/5)
  
```

```

FL00-R01-SW01#ping 10.0.30.1
Type escape sequence to abort.
Sending 5, 100-byte ICMP Echos to 10.0.30.1, timeout is 2 seconds:
.....
Success rate is 0 percent (0/5)

FL00-R01-SW01#ping 10.0.40.1
Type escape sequence to abort.
Sending 5, 100-byte ICMP Echos to 10.0.40.1, timeout is 2 seconds:
.....
Success rate is 0 percent (0/5)
  
```

```

PC>ping 10.0.2.2
Pinging 10.0.2.2 with 32 bytes of data:
Reply from 10.0.2.2: bytes=32 time=18ms TTL=128
Reply from 10.0.2.2: bytes=32 time=8ms TTL=128
Reply from 10.0.2.2: bytes=32 time=8ms TTL=128
Reply from 10.0.2.2: bytes=32 time=9ms TTL=128

Ping statistics for 10.0.2.2:
    Packets: Sent = 4, Received = 4, Lost = 0 (0% loss),
    Approximate round trip times in milli-seconds:
        Minimum = 8ms, Maximum = 18ms, Average = 10ms

Pinging 10.0.2.3 with 32 bytes of data:
Request timed out.
Request timed out.
Request timed out.
Request timed out.

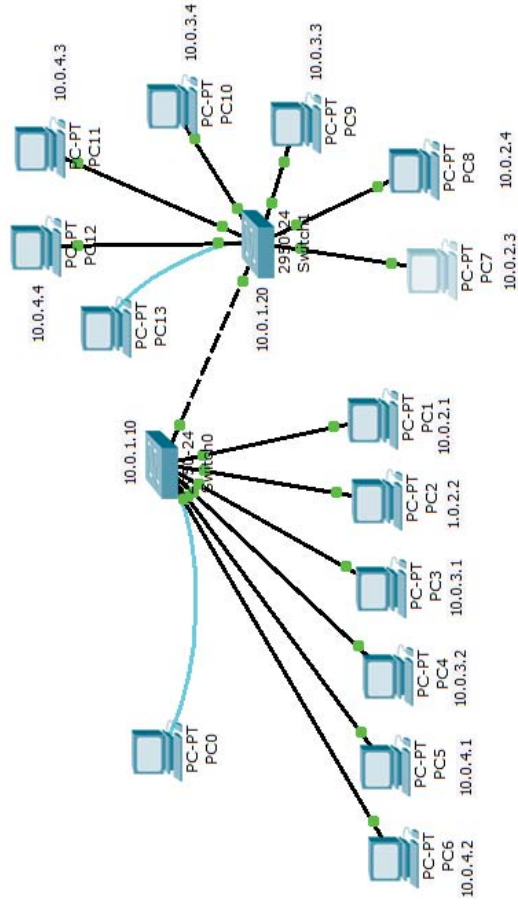
Ping statistics for 10.0.2.3:
    Packets: Sent = 4, Received = 0, Lost = 4 (100% loss),
  
```

5.2 Trunk mode

```
[FL00-R01-SW01]
enable
config t
interface fa0/24
switchport mode trunk
speed auto
duplex auto
end
copy running-config startup-config
reload

[FL00-R02-SW01]
enable
config t
interface fa0/24
switchport mode trunk
speed auto
duplex auto
end
copy running-config startup-config
Reload
```

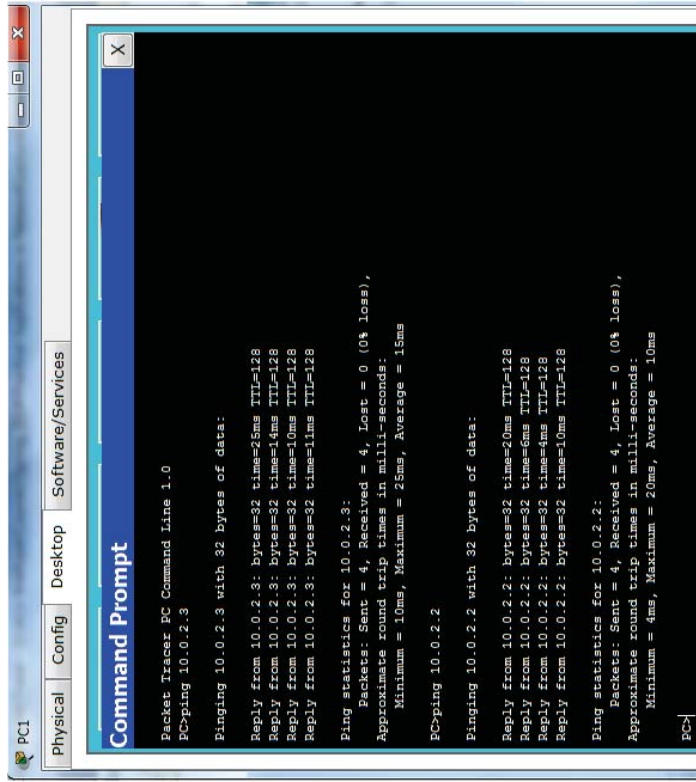
Topography



```
-----
FL00-R01-SW01#ping 10.0.1.20
Type escape sequence to abort.
Sending 5, 100-byte ICMP Echos to 10.0.1.20, timeout is 2 seconds:
..!!!
Success rate is 60 percent (3/5), round-trip min/avg/max = 4/4/4 ms

FL00-R01-SW01#
-----
FL00-R01-SW01#ping 10.0.2.1
Type escape sequence to abort.
Sending 5, 100-byte ICMP Echos to 10.0.2.1, timeout is 2 seconds:
.....
Success rate is 0 percent (0/5)

FL00-R01-SW01#ping 10.0.2.3
Type escape sequence to abort.
Sending 5, 100-byte ICMP Echos to 10.0.2.3, timeout is 2 seconds:
.....
Success rate is 0 percent (0/5)
```



Thanks,..
See you next week (ISA),...