

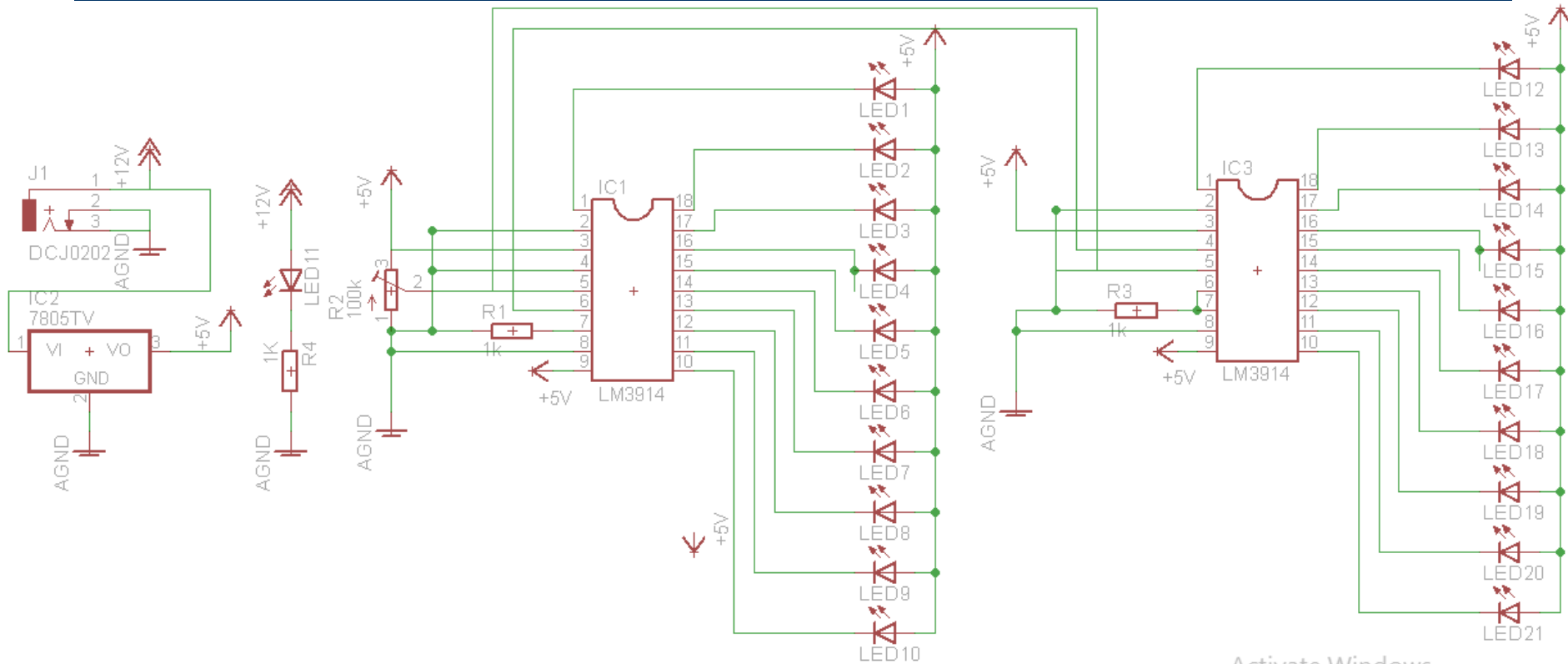
# Project (03.02) Digital Voltage level indicator / Meter (P2)

---

By:

**Dr. Ahmed ElShafee**

# Voltage Level Indicator (20 levels)



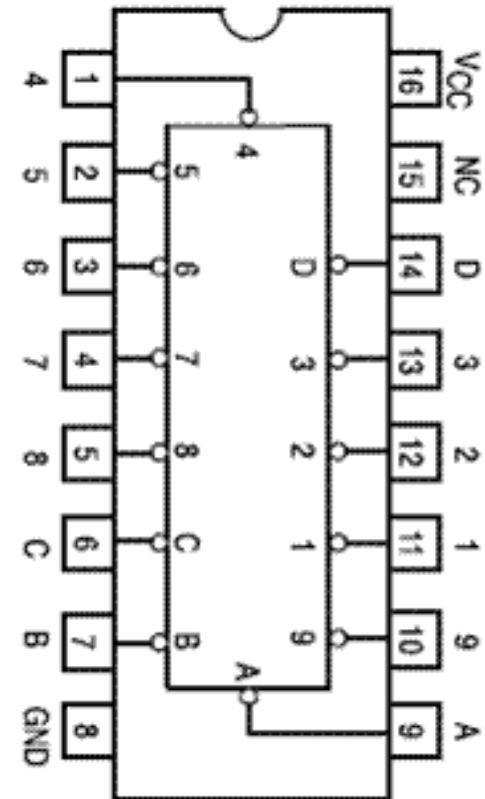
Activate Windows

# 74147 : 10-LINE-TO-4-LINE PRIORITY ENCODERS

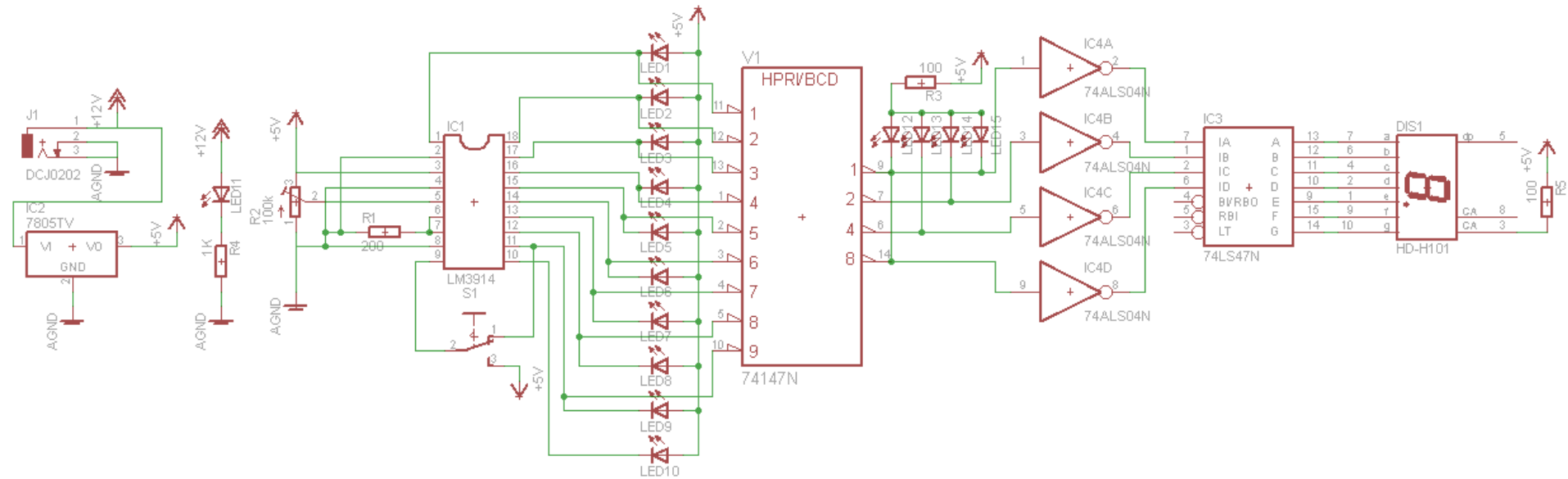
SN54/74LS147  
FUNCTION TABLE

INPUTS									OUTPUTS			
1	2	3	4	5	6	7	8	9	D	C	B	A
H	H	H	H	H	H	H	H	H	H	H	H	H
X	X	X	X	X	X	X	X	L	L	H	H	L
X	X	X	X	X	X	X	L	H	L	H	H	H
X	X	X	X	X	X	L	H	H	H	L	L	H
X	X	X	X	L	H	H	H	H	H	L	H	L
X	X	X	L	H	H	H	H	H	H	L	L	L
X	L	H	H	H	H	H	H	H	H	H	L	H
L	H	H	H	H	H	H	H	H	H	H	H	L

H = HIGH Logic Level, L = LOW Logic Level, X = Irrelevant



# Decoded level indicator/meter





**Thanks,..**  
**See you next week (ISA),...**