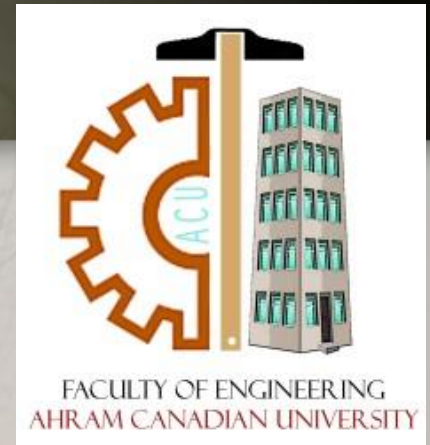




Lecture (08)

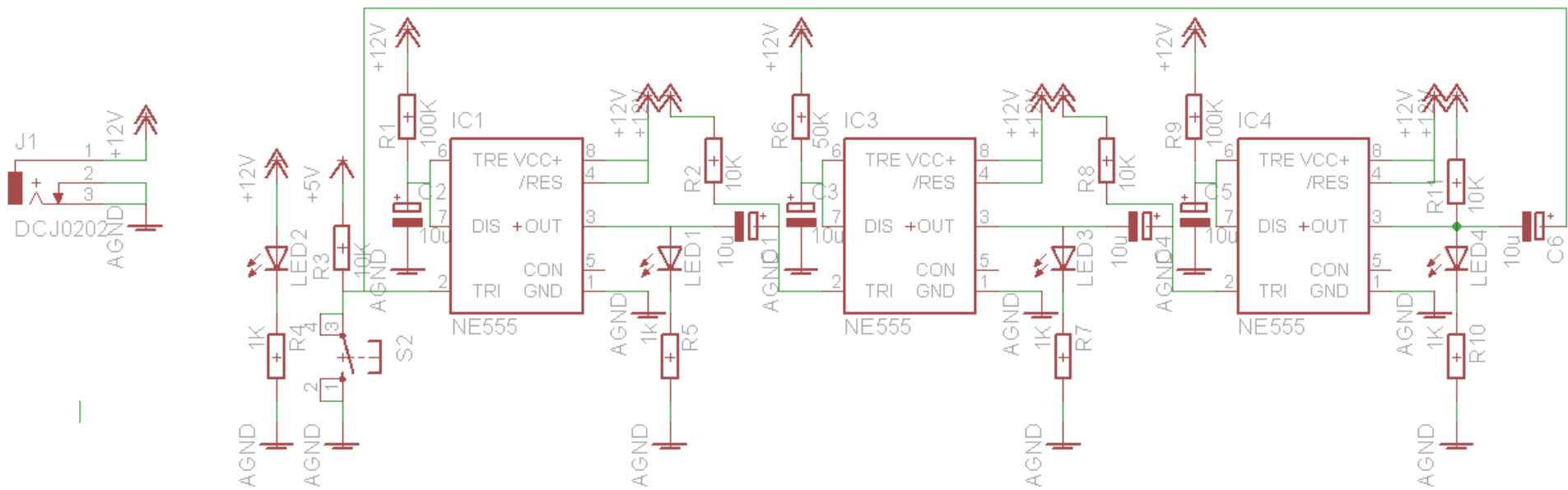
Project 04



By:

Dr. Ahmed ElShafee

-
- **Objective**
 - To build a functional prototype of simple traffic light using 555 ICs
 - Theory
 - This Traffic Light Circuit can be used to control traffic on roads or in public places. In a Traffic light there are three different color bulb which are Green, Yellow/Amber and Red.
 - This project uses IC555 as Astable Multivibrator for rapid square wave pulse generation.
 - The cascaded monostables blocks are used, each is triggering the next block.





Thanks,..
See you next week (ISA),...