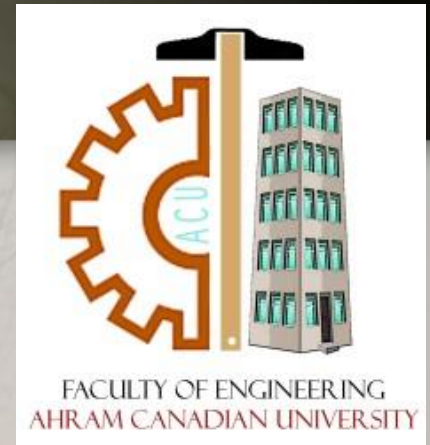




Lecture (06,07)

Toy organ



By:

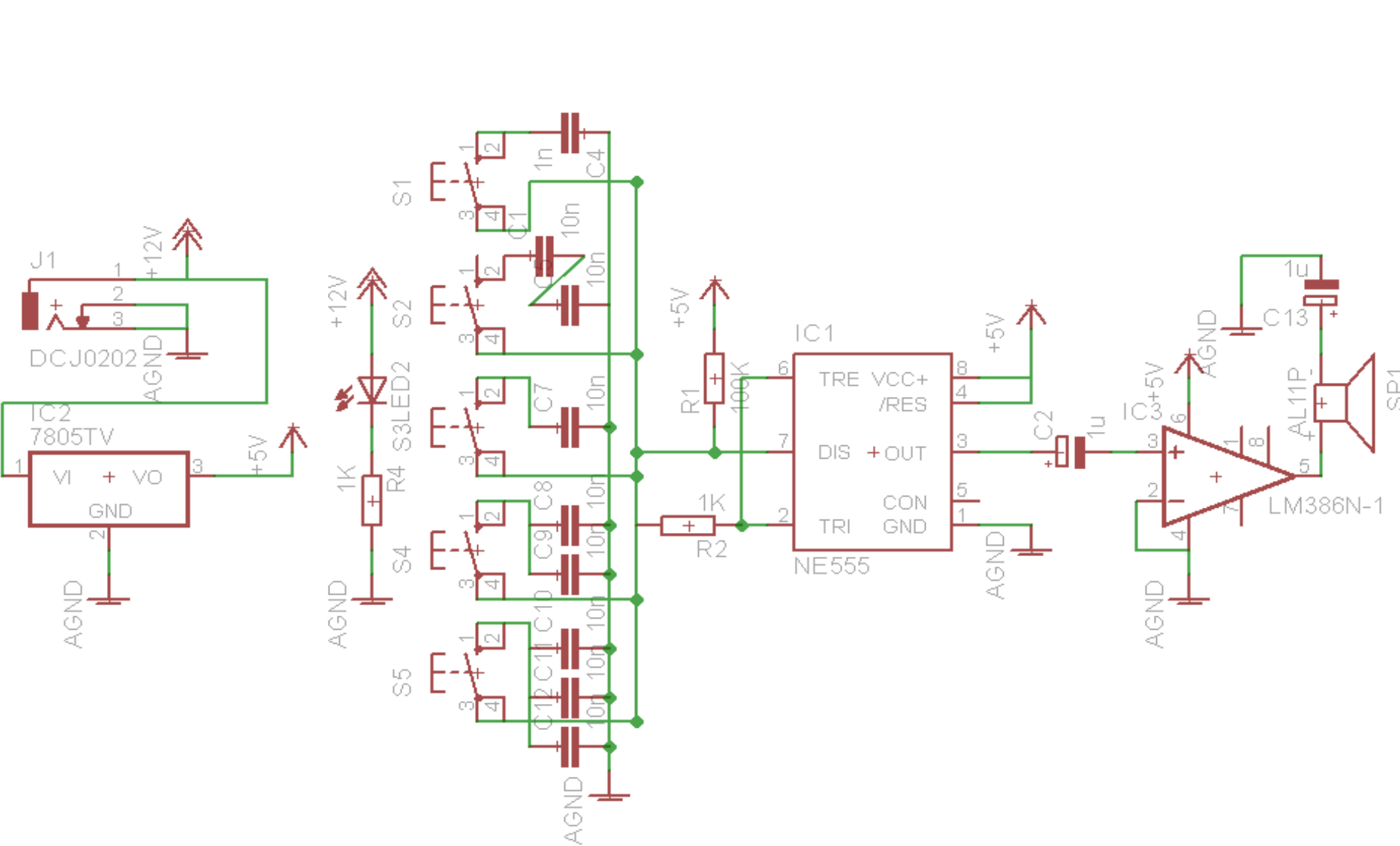
Dr. Ahmed ElShafee

Objective

- To build a functional prototype of simple toy organ circuits that produces 5 different sounds.

Theory

- This circuit produces a tone according to the button being pressed.
- Only 1 button can be pressed at a time, that's why it is called a monophonic organ.
- Main heart of this circuit is 555timer IC. The 555 timer is operated in astable multivibrator mode.
- In astable multivibrator mode, the circuit produces accurate free running waveforms, which can be adjusted.





Thanks,..
See you next week (ISA),...