



Lecture (00) preface

By:

Dr. Ahmed ElShafee

Dr. Ahmed ElShafee, ACU : Fall 2017, Electronic Circuits

What is electric circuit?

- The first electric batteries were invented by a fellow named Alessandro Volta in 1800.
- Volta's contribution is so important that the common *volt* is named for him.

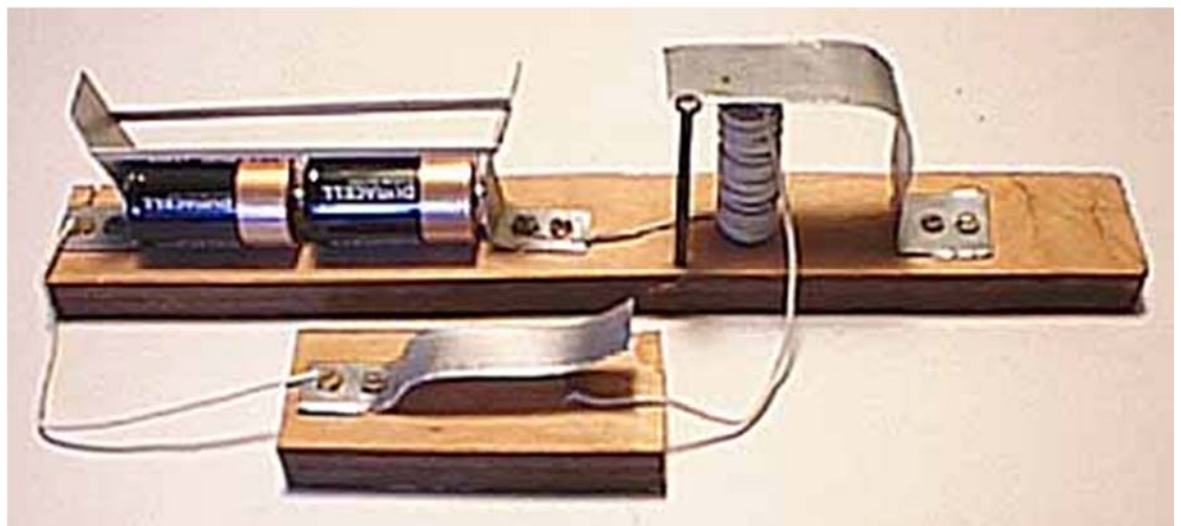


-
- The electric telegraph was invented in the 1830s and popularized in America by Samuel Morse, who invented the famous Morse code used to encode the alphabet and numerals into a series of short and long clicks that could be transmitted via telegraph.



Dr. Ahmed ElShafee

-
- In 1866, a telegraph cable was laid across the Atlantic Ocean allowing instantaneous communication between the United States and Europe.



-
- All of these devices, and many other common devices still in use today, such as light bulbs, vacuum cleaners, and toasters, are known as *electrical devices*.



Dr. Ahmed ElShafee, ACU : Fall 2017, E

So what exactly is the difference between electrical devices and *electronic devices*?

- The answer lies in how devices manipulate electricity to do their work.
- Electrical devices take the energy of electric current and transform it in simple ways into some other form of energy — most likely light, heat, or motion.



-
- The heating elements in a toaster turn electrical energy into heat so you can burn your toast.
 - And the motor in your vacuum cleaner turns electrical energy into motion that drives a pump that sucks the burnt toast crumbs out of your carpet.



Y

Dr. Ahmed ElShafee, ACU : Fall 2017, El

-
- That very first electronic device invented in 1883 by Thomas Edison manipulated the electric current passing through a light bulb in a way that let Edison create a device that could monitor the voltage being provided to an electrical circuit and automatically increase or decrease the voltage if it became too low or too high.



A

Dr. Ahmed ElShafee, ACU : Fall 20

dimming range 0-100%

© cinelight.com

-
- audio electronic devices add sound information to an electric current so that you can listen to music or talk on a cellphone. And video devices add images to an electric current so you can watch great movies until you know every line by heart



9

Dr. Ahmed ElShafee, ACU : Fall 2017, Electro

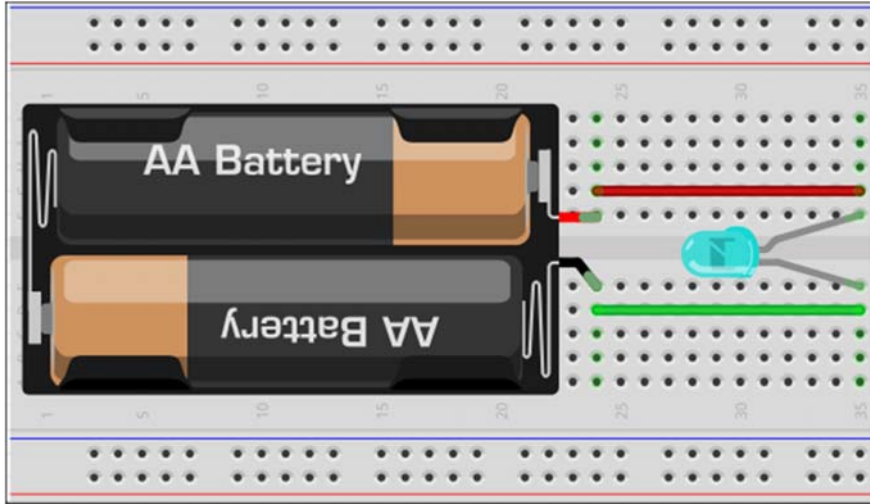
-
- What used to be simple electrical devices now often include some electronic components in them.
 - For example, your toaster may contain an electronic thermostat that attempts to keep the heat at just the right temperature to make perfect toast.
 - And even the most complicated electronic devices have simple electrical components in them.
 - For example, although your TV set's remote control is a pretty complicated little electronic device, it contains batteries, which are simple electrical devices.

10

Dr. Ahmed ElShafee, ACU : Fall 2017, Electronic Circuits

Simple eclectic circuit

-

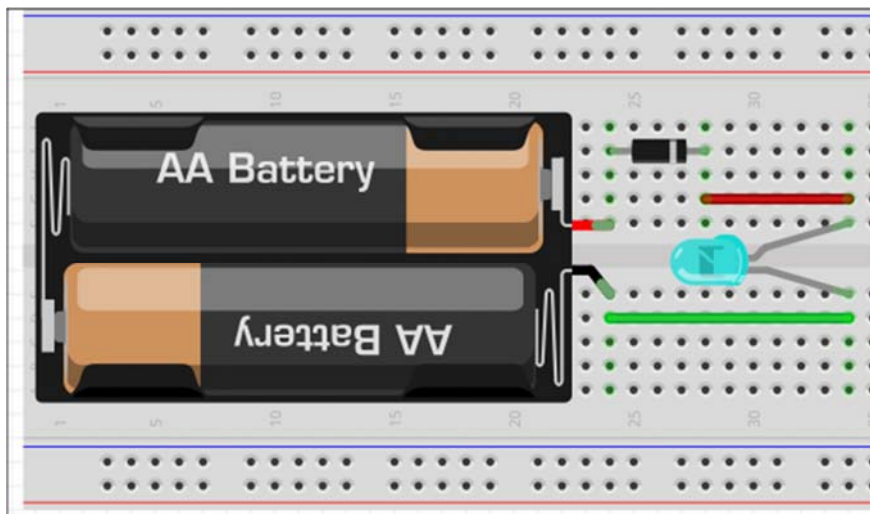


١١

Dr. Ahmed ElShafee, ACU : Fall 2017, Electronic Circuits

Simple electronic circuit

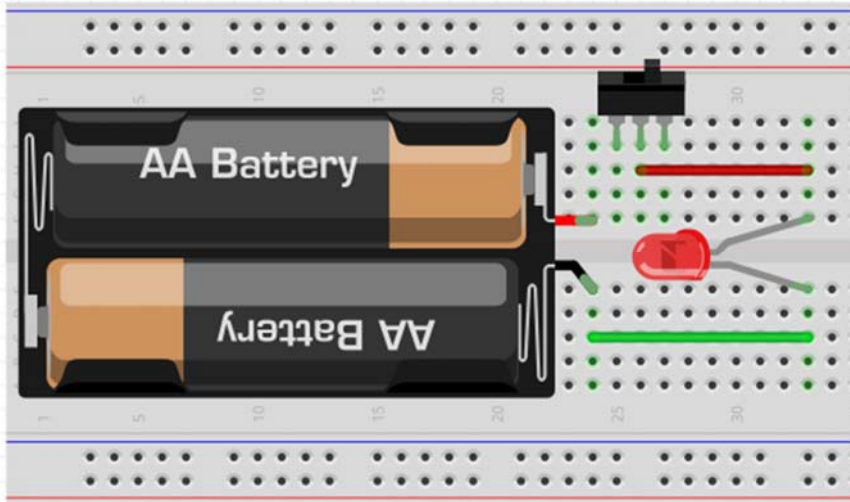
-



١٢

Dr. Ahmed ElShafee, ACU : Fall 2017, Electronic Circuits

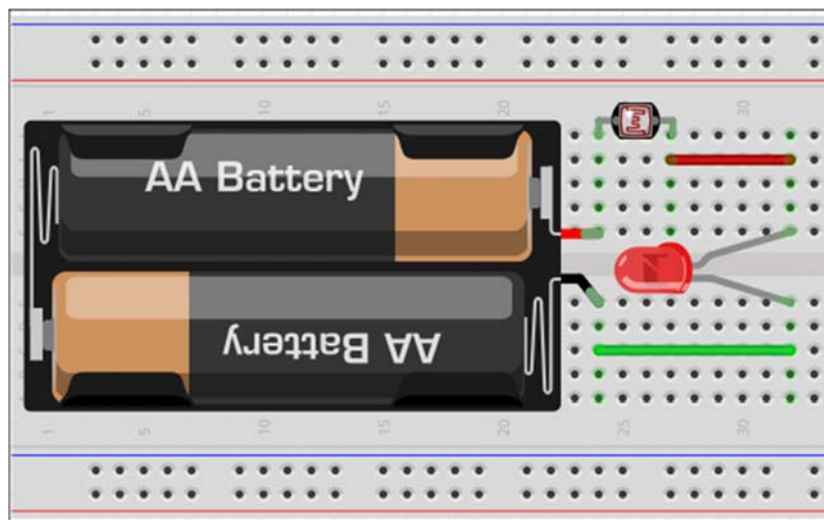
Simple electric circuit



١٣

Dr. Ahmed ElShafee, ACU : Fall 2017, Electronic Circuits

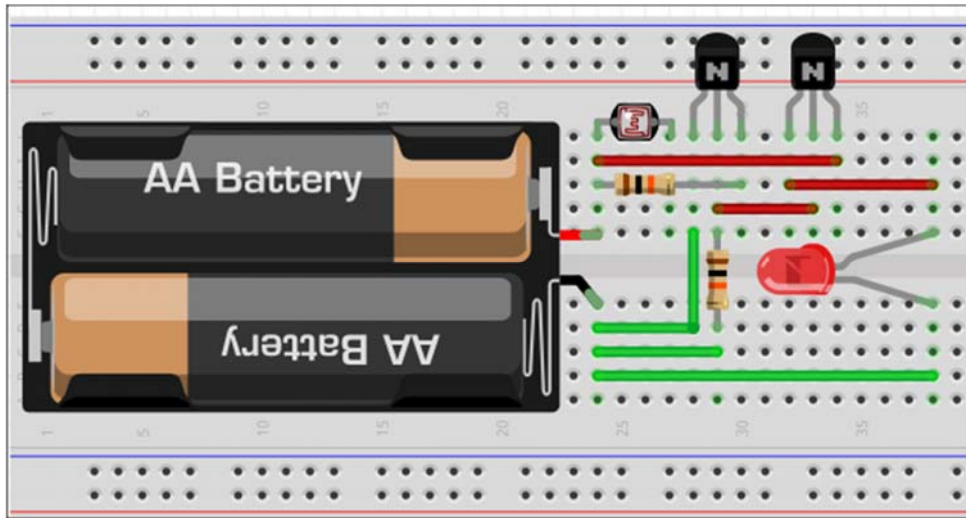
Simple electronic circuit



١٤

Dr. Ahmed ElShafee, ACU : Fall 2017, Electronic Circuits

Simple electronic circuit



١٥

Dr. Ahmed ElShafee, ACU : Fall 2017, Electronic Circuits

Thanks,..
See you next week (ISA),...