

# CNE301 – Network I – Lab 03

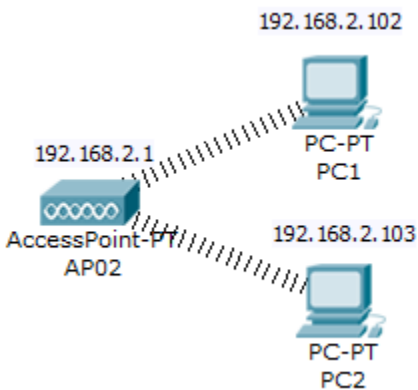
## Working with wireless infrastructure LAN.

#	Student ID	Student Name	Grade (10)
1			

## 1. Building a Basic service set

Equipment:

2 PCs  
1 AP



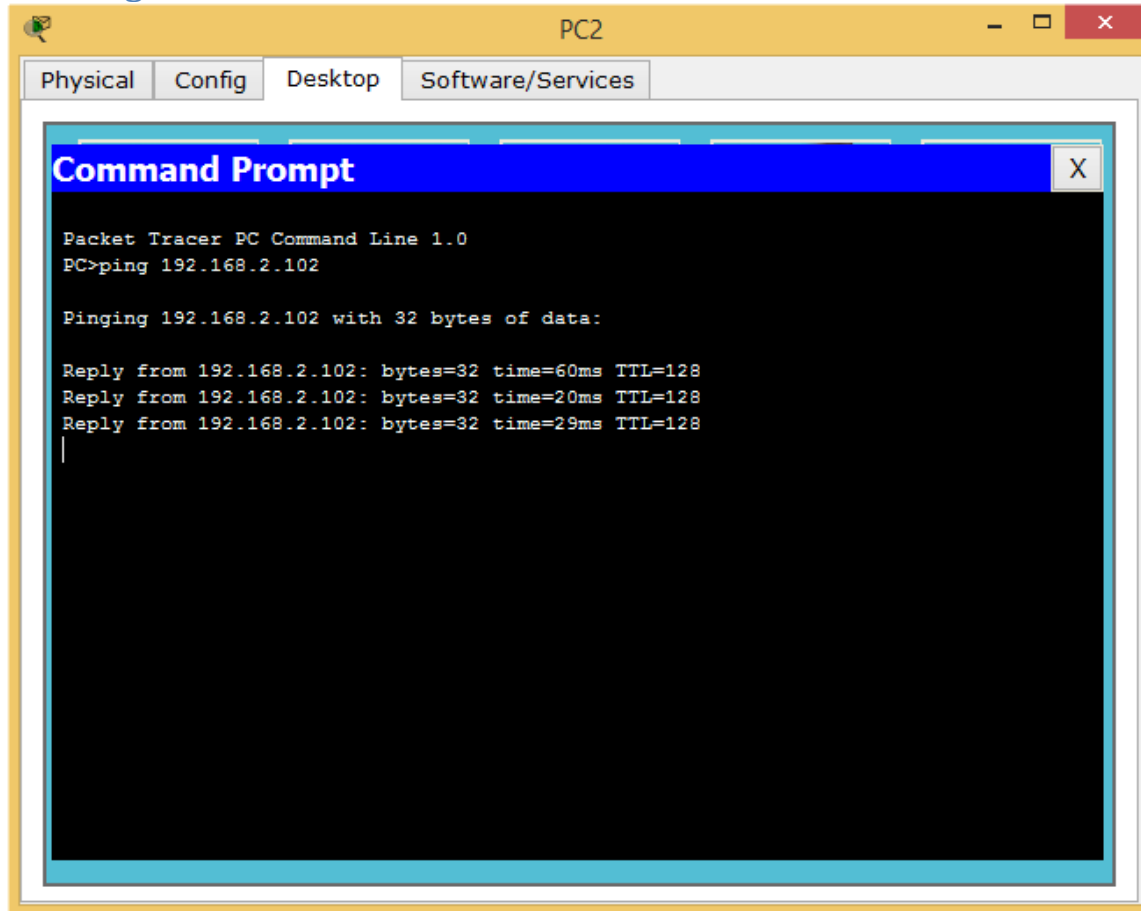
AP	
SSID	AP02
Country	Egypt
Mode	Access Point

PC0	
IP	192.168.2.104
Subnet mask	255.255.255.0
Gateway	-

PC1	
IP	192.168.2.102
Subnet mask	255.255.255.0
Gateway	-

- 
- 
- 
- 
- 
- 
-

## Testing basic service set

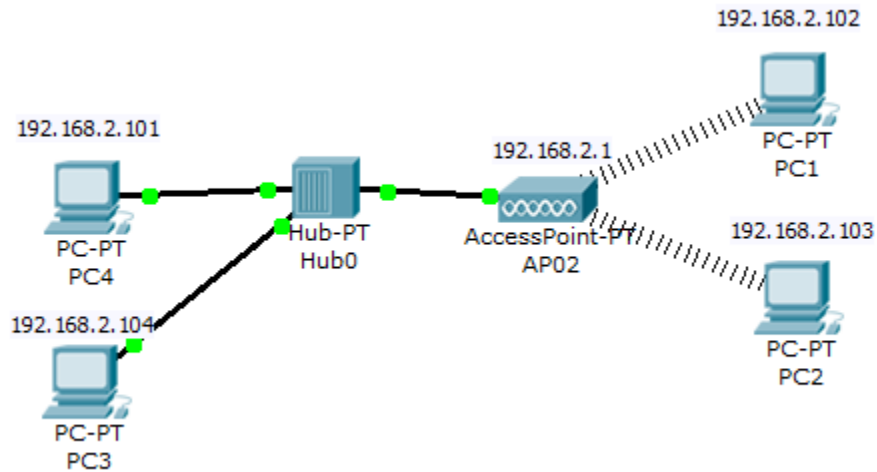


Src to des ping	Min RTT	Max RTT	Average RT
PC1→PC2			
PC2→PC1			

## 2. Building an extended service set

Equipment:

- 4 PCs
- 1 AP



AP	
SSID	AP02
Country	Egypt
Mode	Access Point

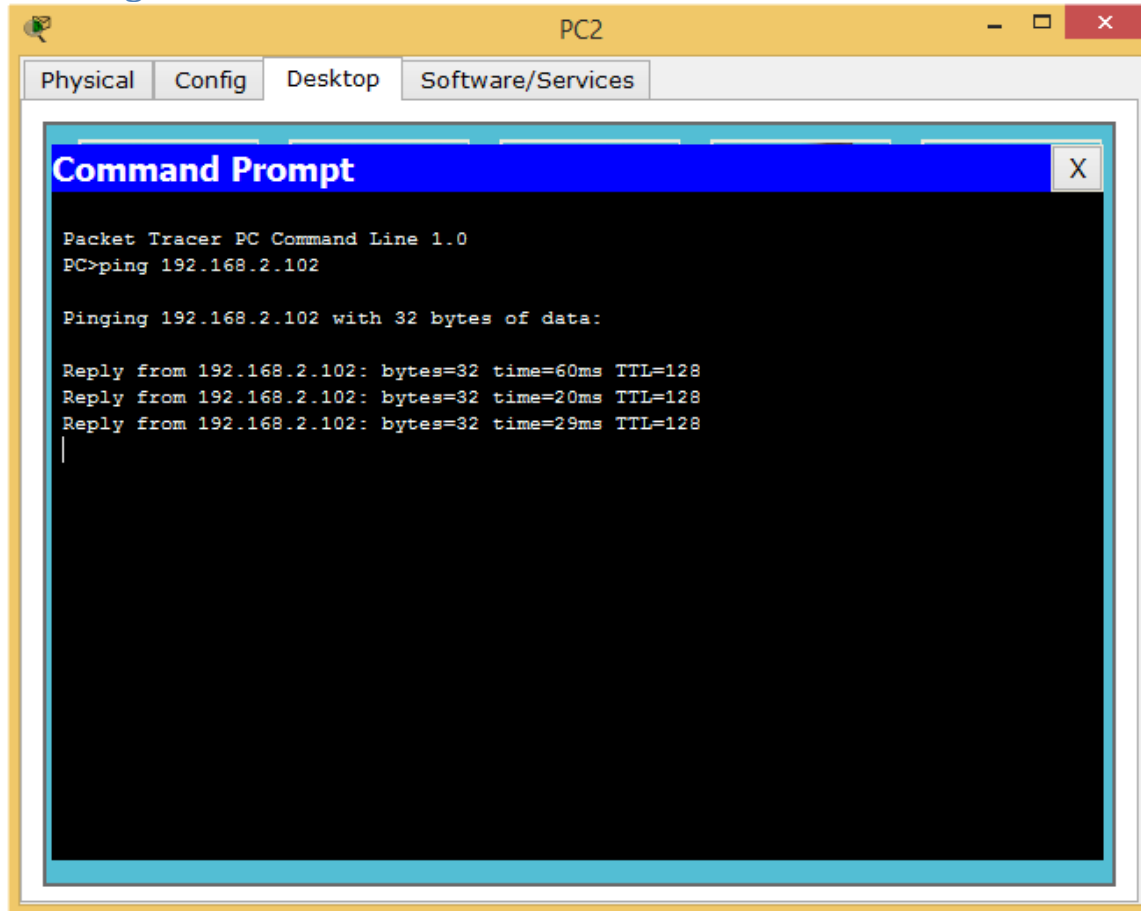
PC2	
IP	192.168.2.101
Subnet mask	255.255.255.0
Gateway	-

PC3	
IP	192.168.2.103
Subnet mask	255.255.255.0
Gateway	-

PC0	
IP	192.168.2.104
Subnet mask	255.255.255.0
Gateway	-

<b>PC1</b>	
IP	192.168.2.102
Subnet mask	255.255.255.0
Gateway	-

### Testing extended service set



Src to des ping	Min RTT	Max RTT	Average RT
PC1→PC2			
PC1→PC3			
PC3→PC4			
PC3→PC1			

**Conclusions:**

1. Compare the round trip time for wired (2 PC connected through hub) and wireless (2 PC connected through AP) connected PC (which is higher, which is lower)?

.....

.....

.....

.....

.....

.....

.....

.....

.....

.....

2. Explain you answer of question 1.

.....

.....

.....

.....

.....

.....

.....

.....

.....

.....

3. Compare the round trip time for wired to wireless trip (from a wired PC to a wireless PC) and for wireless to wired trip (from wireless PC to wireless PC) ?

.....

.....

.....

.....

.....

.....

.....

.....

.....

.....

4. Explain why RTT is varying when wireless PC is taking to any other entity of the network (wired or wireless)?

.....

.....

.....

.....

.....

.....

.....

.....

.....

.....