

Electronic Circuits – Assignment

05

Special Purpose Diodes

I

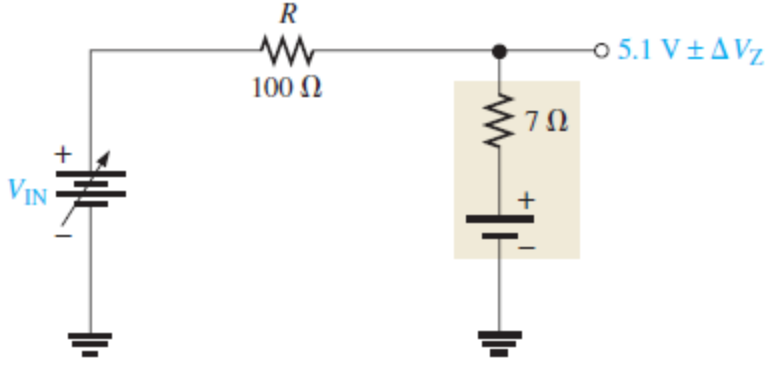
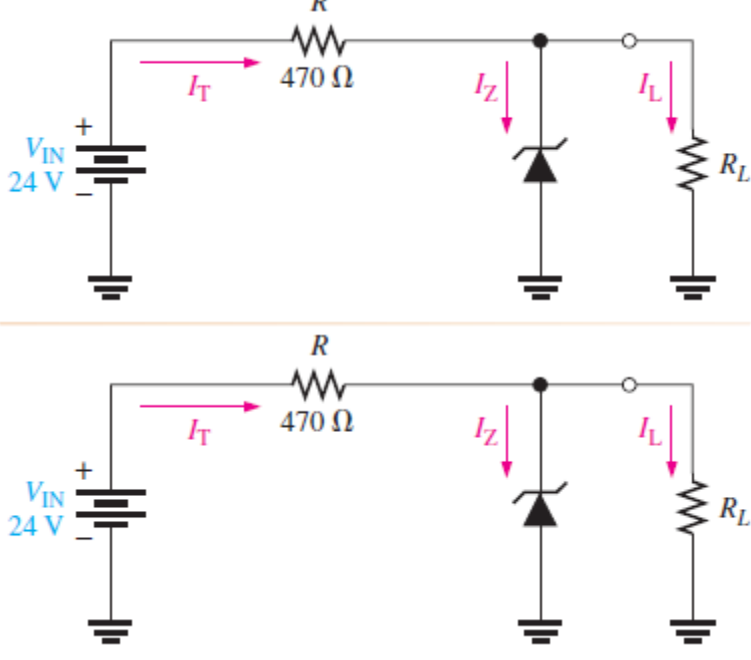
#	Student ID	Student Name	Grade (10)
-			

Delivery Date	
---------------	--

١. يتم تسليم التمرين محلولا في خلال أسبوع من تاريخ التمرين، و يتم حذف درجتين من التمرين عن كل أسبوع تأخير
٢. يتم التسليم لمعيد المقرر مباشرة
٣. تتم أجابه التمرين في نفس ورق الأسئلة

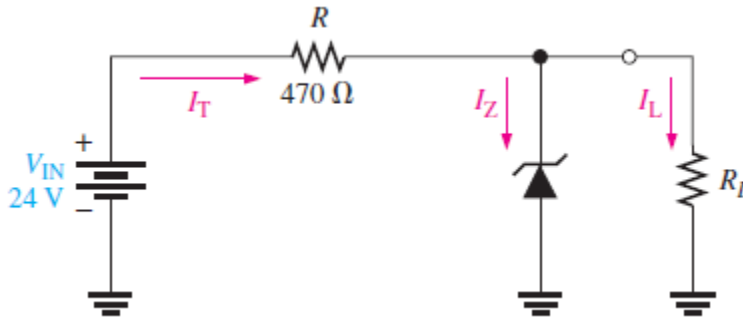
#	Question	
1	The zener diode normally operates in reverse breakdown.	
2	There is no current when a zener is in reverse breakdown.	
3	The varactor diode is used as a variable capacitor.	

MCQ

#	Question	
1	 <p>If the input voltage in Figure 3–11 is increased from 5 V to 10 V, ideally the output voltage will (a) increase (b) decrease (c) not change</p>	
2	 <p>If R_L in Figure 3–14 is removed, the current through the zener diode will (a) increase (b) decrease (c) not change</p>	

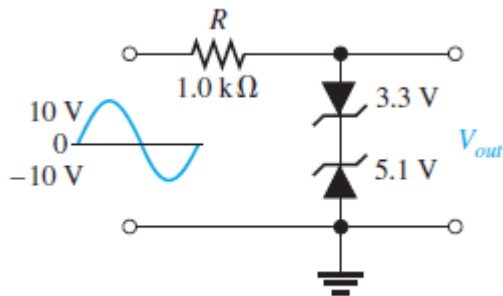


3



If R in Figure 3–14 is increased, the current to the load resistor will
(a) increase (b) decrease (c) not change

4



(a)
If the input voltage amplitude in Figure 3–19(a) is reduced, the amplitude of the output voltage will
(a) increase (b) decrease (c) not change

