

# Project 01

## Building Voltage level Indicator/meter

#	Student ID	Student Name	Grade (10)
1			

Delivery Date	
---------------	--

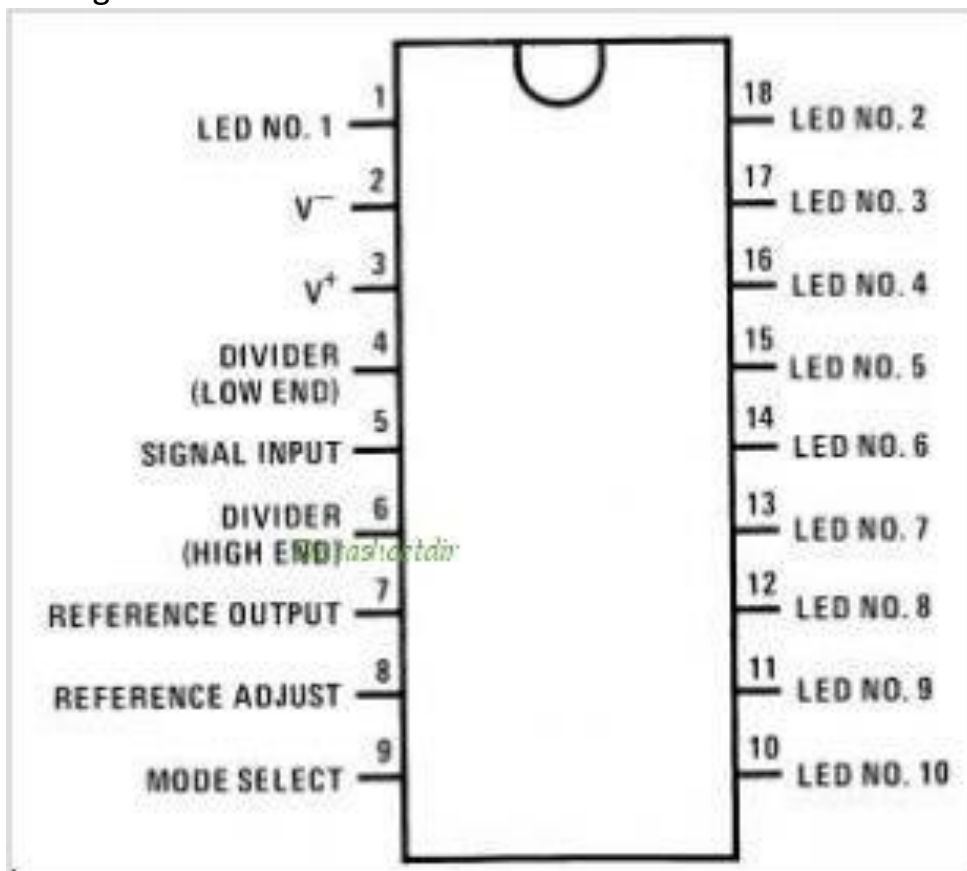
<p>١. يتم تسليم المشروع في خلال أسبوعين من تاريخ عرضة، و يتم حذف درجتان و نصف من المشروع عن كل أسبوع تأخير</p> <p>٢. يتم تسليم المشروع لمعيد المقرر مباشرة</p>
--

## Main used ICS

### Dot/Bar Display driver (LM3914)

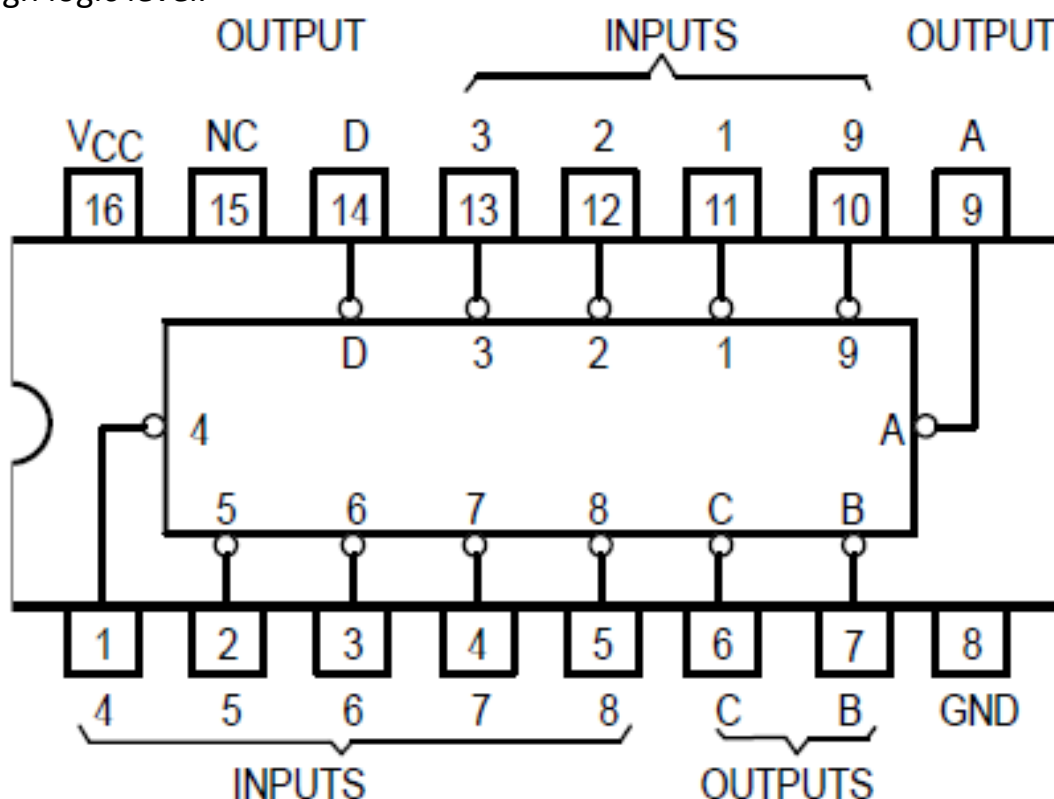
One of the most important chips, drives up to 10 leds at a time (bar mode) or a single led out of ten (dot mode) in response to an input voltage.

Chip contains voltage divider and 10 comparators that turns on in sequence as the input voltage raises.



## 74147

The 74147 is a Priority Encoder. It provide priority decoding of the inputs to ensure that only the highest order data line is encoded. devices has data inputs and outputs which are active at the low logic level. The 47147 encodes nine data lines to four-line (8-4-2-1) BCD. The implied decimal zero condition does not require an input condition because zero is encoded when all nine data lines are at a high logic level.

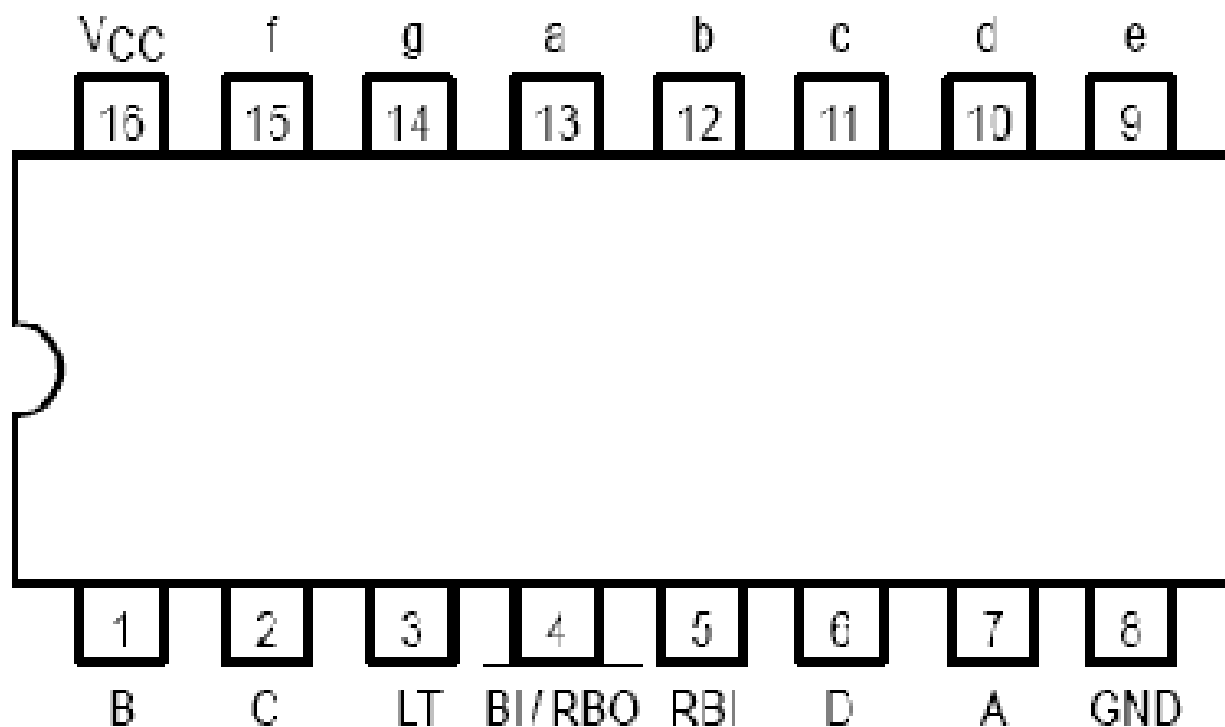


## 7447

The 7447 chip is used to drive 7 segment display. You must use the 7447 with a common anode 7-segment display. The input to the 7447 is a binary number DCBA where D is 8s, C is 4s, B is 2s and A is 1s. The inputs DCBA often come from a binary counter.

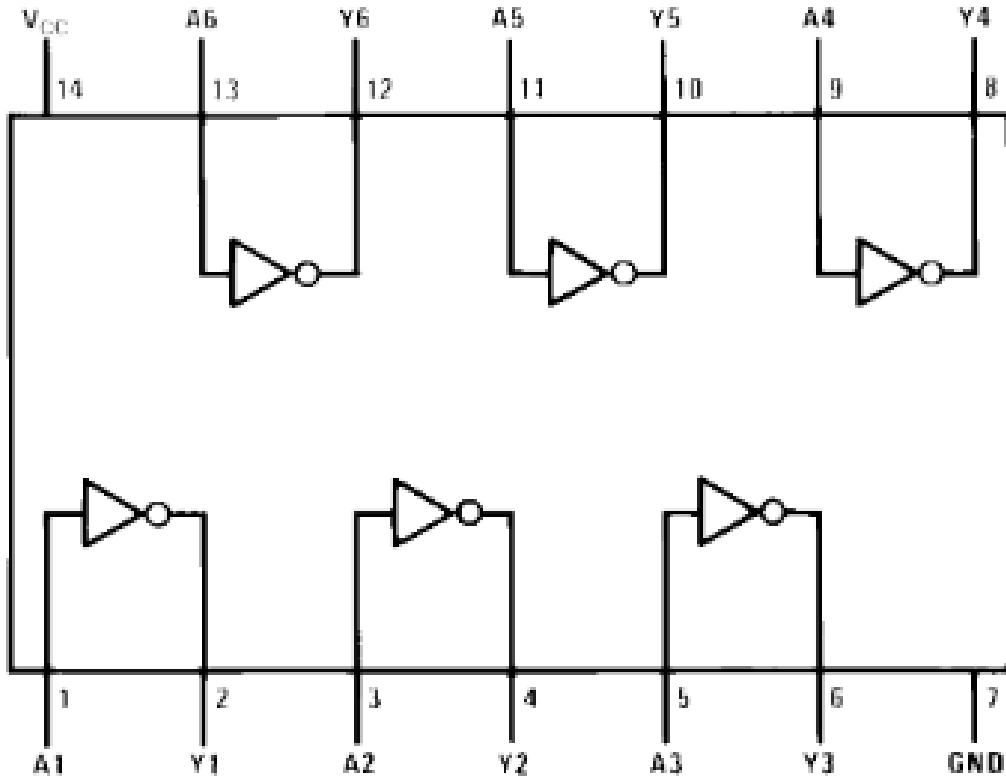
The display is only sensible if the binary number is between DCBA=0000 (0) and DCBA=1001 (9); this is called Binary Coded Decimal or BCD for short. If the number is larger than 9 you get a strange output on the display.

### CONNECTION DIAGRAM DIP (TOP VIEW)



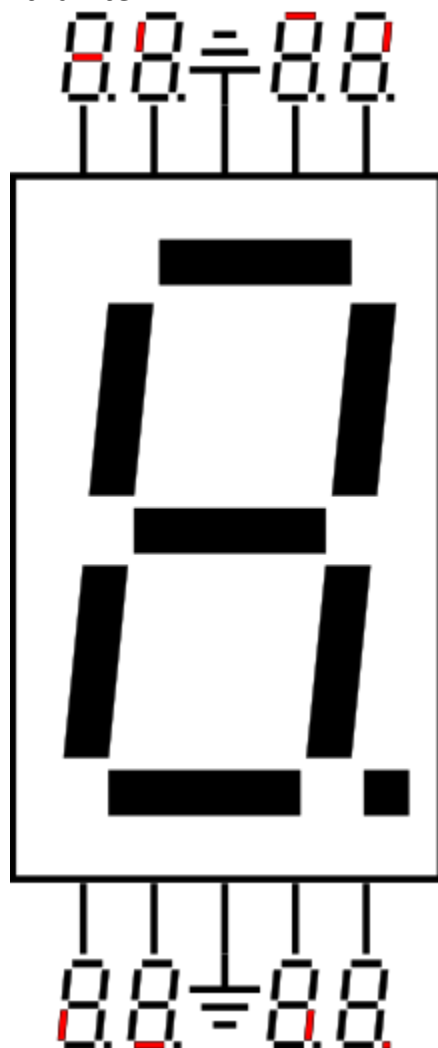
## 7404

This device contains six independent gates each of which performs the logic INVERT function

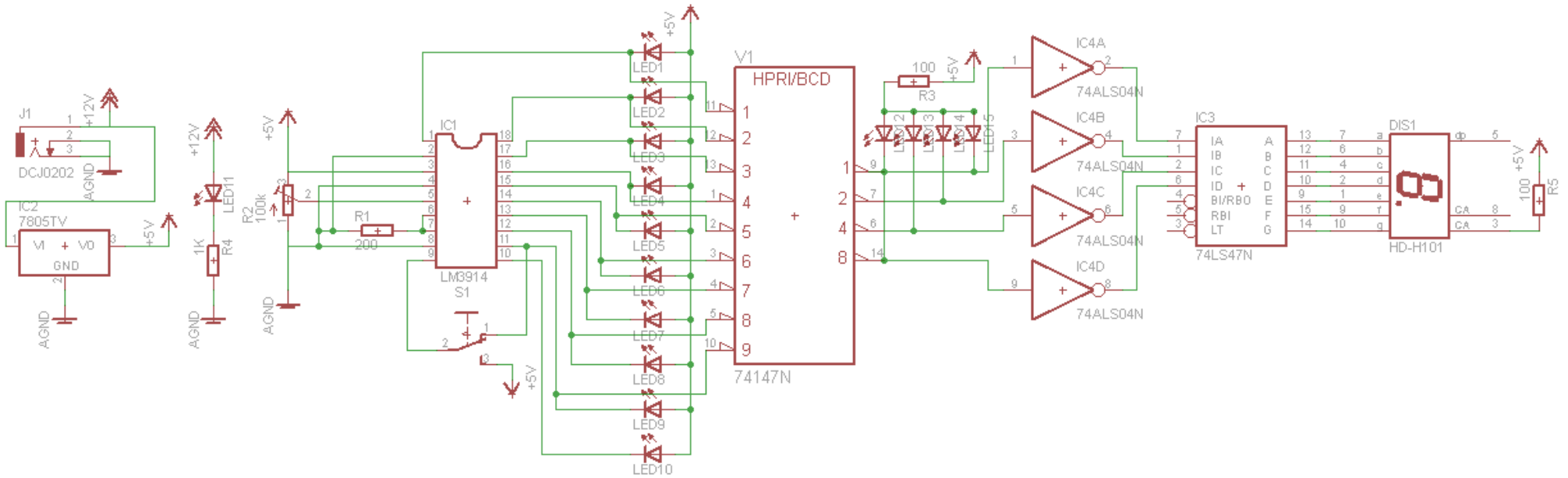


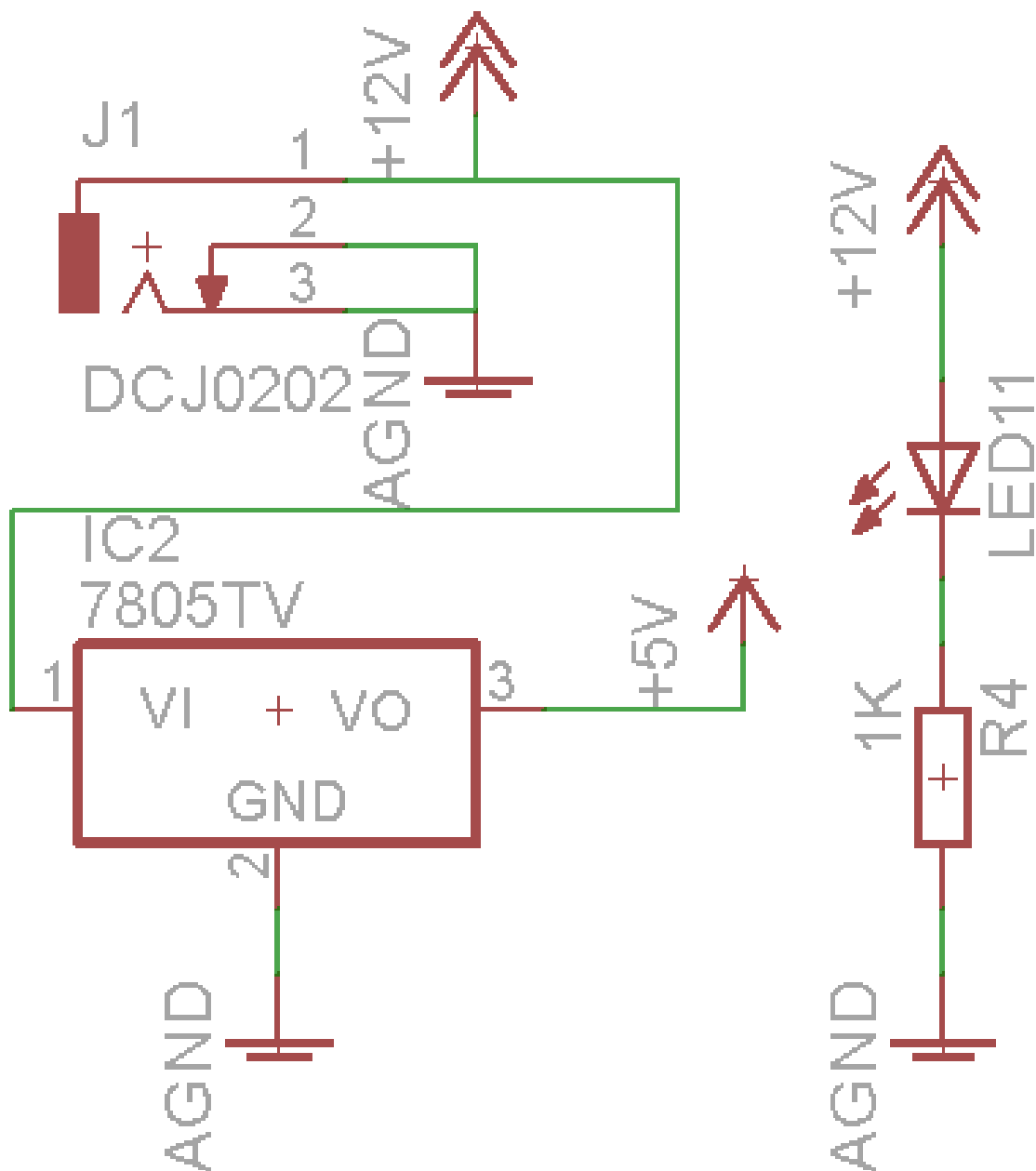
## Common anode 7 segments

The *7-segment display*, also written as “seven segment display”, consists of seven LEDs (hence its name) arranged in a rectangular fashion as shown. Each of the seven LEDs is called a segment because when illuminated the segment forms part of a numerical digit (both Decimal and Hex) to be displayed. An additional 8th LED is sometimes used within the same package thus allowing the indication of a decimal point, (DP) when two or more 7-segment displays are connected together to display numbers greater than ten.

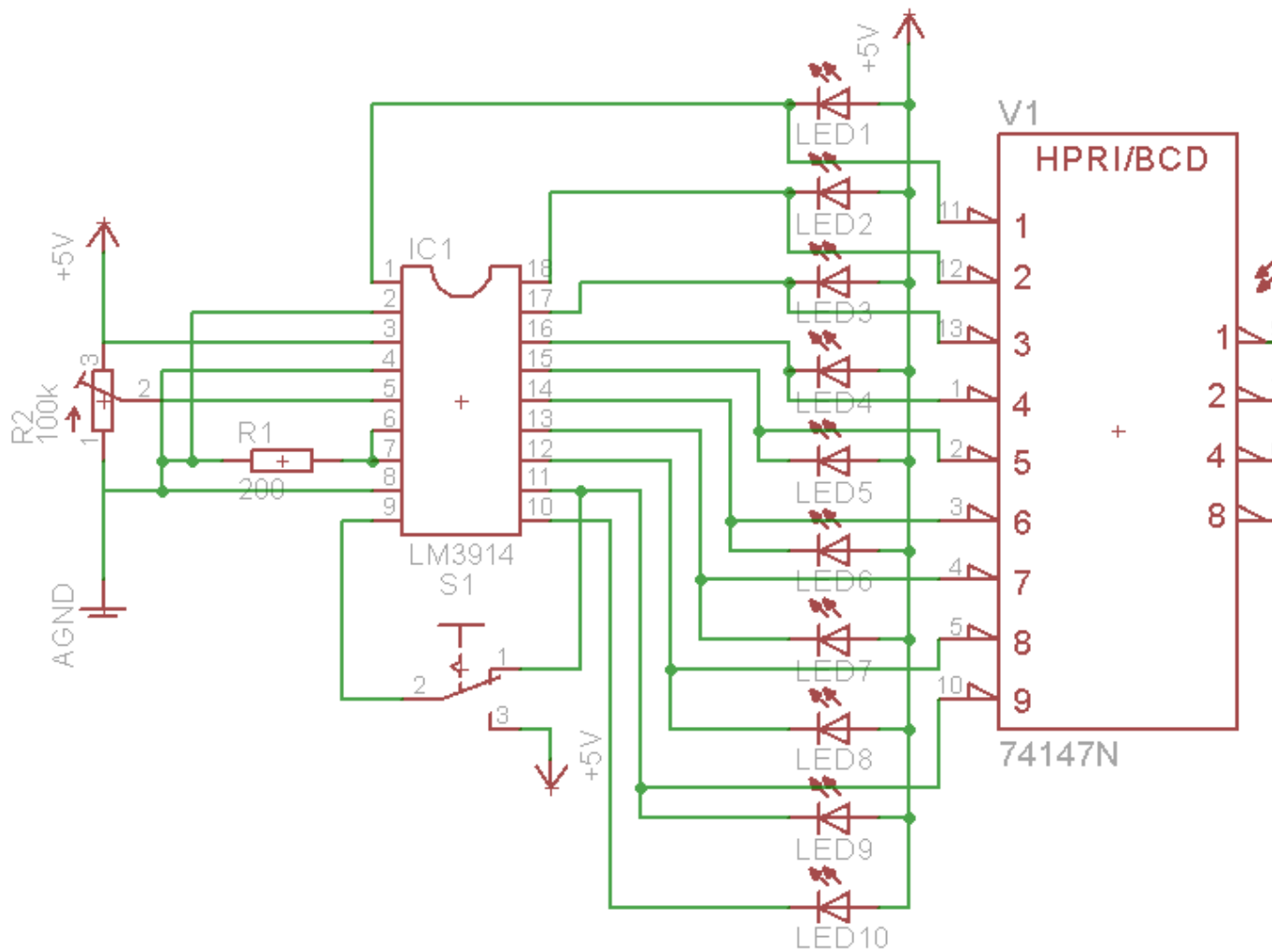


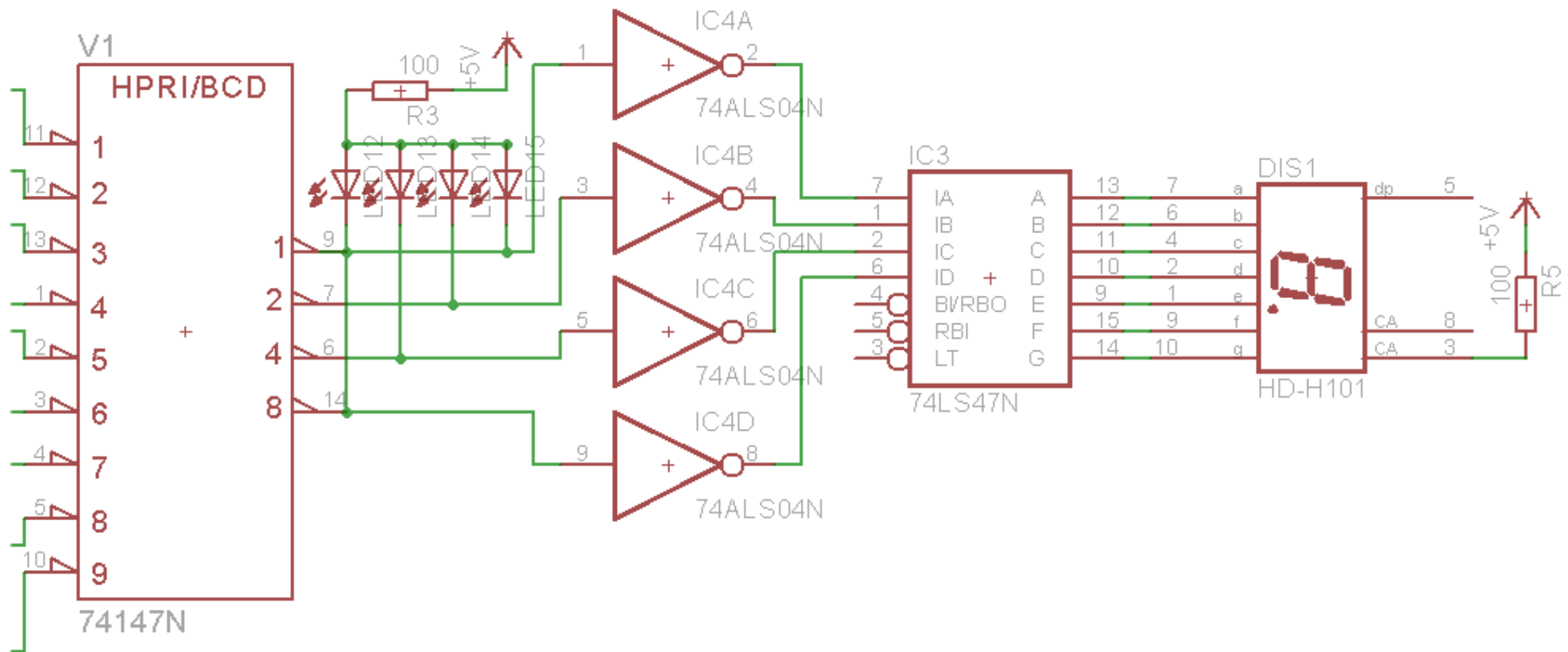
## Schematic











## Components list

#	Q	item	link
1	1	Power socket	<a href="http://ram-e-shop.com/oscmx/catalog/product_info.php?products_id=1203">http://ram-e-shop.com/oscmx/catalog/product_info.php?products_id=1203</a>
2	1	7805	<a href="http://ram-e-shop.com/oscmx/catalog/product_info.php?products_id=635">http://ram-e-shop.com/oscmx/catalog/product_info.php?products_id=635</a>
3	1	Led 5mm	<a href="http://ram-e-shop.com/oscmx/catalog/product_info.php?cPath=60&amp;products_id=227">http://ram-e-shop.com/oscmx/catalog/product_info.php?cPath=60&amp;products_id=227</a>
4	1	R 1K	<a href="http://ram-e-shop.com/oscmx/catalog/product_info.php?cPath=31_46_69&amp;products_id=342">http://ram-e-shop.com/oscmx/catalog/product_info.php?cPath=31_46_69&amp;products_id=342</a>
5	1	Var R 100K	<a href="http://ram-e-shop.com/oscmx/catalog/product_info.php?products_id=554">http://ram-e-shop.com/oscmx/catalog/product_info.php?products_id=554</a>
6		3 ways switch	<a href="http://ram-e-shop.com/oscmx/catalog/product_info.php?products_id=2714">http://ram-e-shop.com/oscmx/catalog/product_info.php?products_id=2714</a>
7	3	R 100 ohm	<a href="http://ram-e-shop.com/oscmx/catalog/product_info.php?products_id=313">http://ram-e-shop.com/oscmx/catalog/product_info.php?products_id=313</a>
8	1	LM3914	<a href="http://ram-e-shop.com/oscmx/catalog/product_info.php?products_id=1326">http://ram-e-shop.com/oscmx/catalog/product_info.php?products_id=1326</a>
9	15	Led 3 m	<a href="http://ram-e-shop.com/oscmx/catalog/product_info.php?products_id=237">http://ram-e-shop.com/oscmx/catalog/product_info.php?products_id=237</a>



10	1	74147	<a href="http://ram-e-shop.com/oscmx/catalog/product_info.php?products_id=103">http://ram-e-shop.com/oscmx/catalog/product_info.php?products_id=103</a>
11	1	7447	<a href="http://ram-e-shop.com/oscmx/catalog/product_info.php?products_id=91">http://ram-e-shop.com/oscmx/catalog/product_info.php?products_id=91</a>
12	1	7404	<a href="http://ram-e-shop.com/oscmx/catalog/product_info.php?products_id=81">http://ram-e-shop.com/oscmx/catalog/product_info.php?products_id=81</a>
13	1	Common anode 7 segments	<a href="http://ram-e-shop.com/oscmx/catalog/product_info.php?products_id=1068">http://ram-e-shop.com/oscmx/catalog/product_info.php?products_id=1068</a>

