



Sample

Course name: Practical App. in EE 1

Exam number: Final - Fall 2016

Course Code: EE01

Exam Date: Jan 2017

Lecturer: Dr. Ahmed ElShafee

Time Allowed: 120 minutes

ID: .....

Name: .....

Circuit 1	Total
20	20

**Circuit 1:**

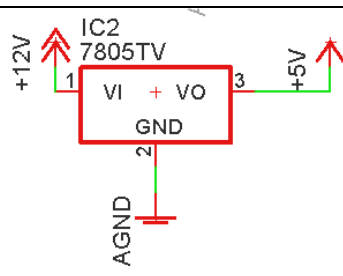
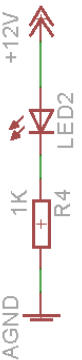
Build a simple toy organ using NE555 timer.

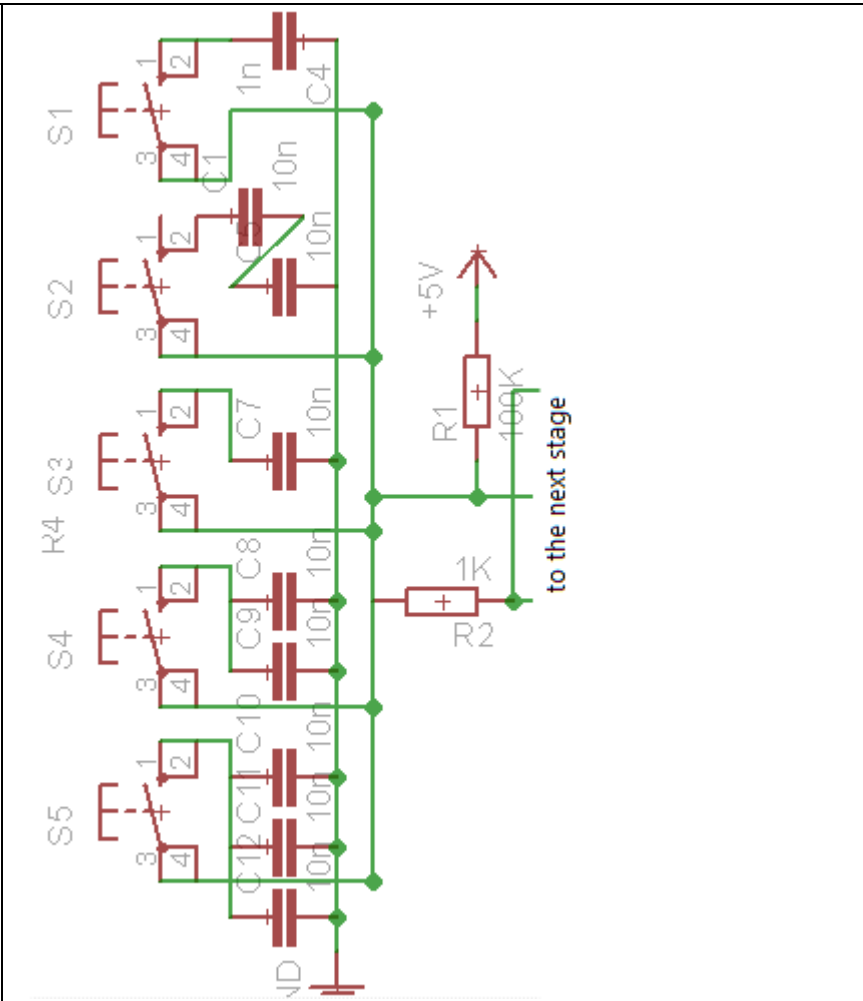
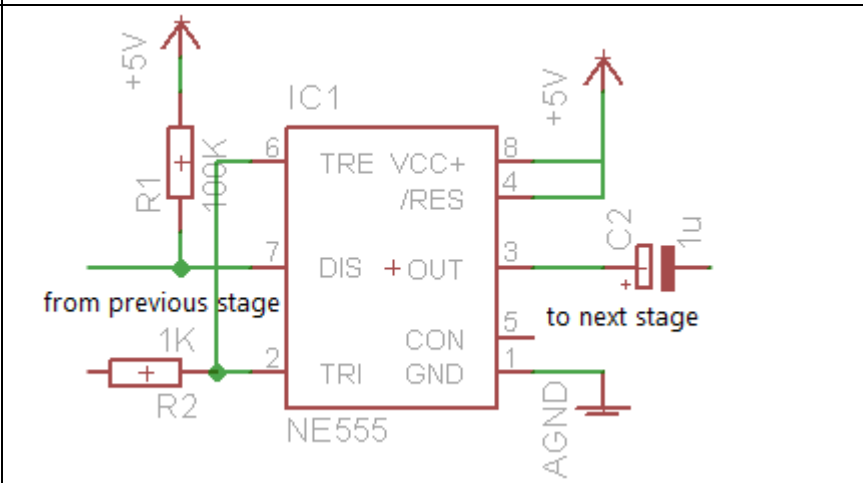
The objective of the circuit is to generate 5 different tones using NE555 IC in bistable mode..

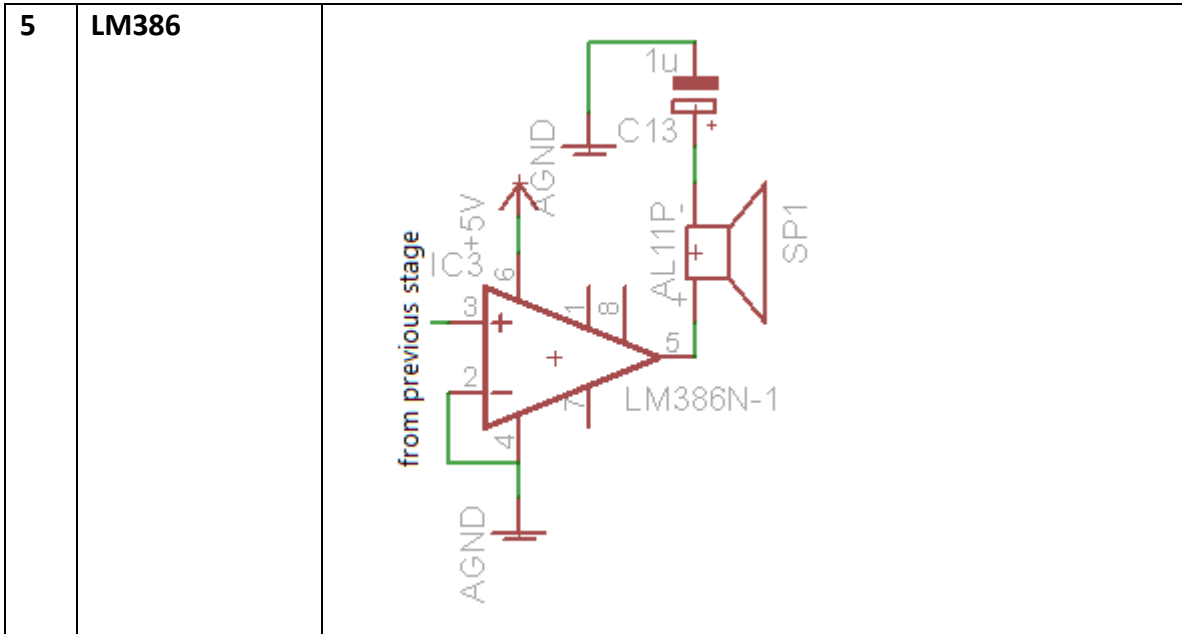
Use a 7805 voltage regulator, to limit circuit input voltage to 5 volts.

Circuit should have power indicator to ensure power is connected properly to the circuit.

Following figures show terminals and functionality of component terminals.

#	Components	Layout
1	7805	
2	Power indicator led	

<p><b>3</b></p>	<p><b>keypad</b></p>	
<p><b>4</b></p>	<p><b>NE555</b></p>	















FACULTY OF ENGINEERING  
AHRAM CANADIAN UNIVERSITY

كلية الهندسة

*Faculty of Engineering*



جامعة الأهرام الكندية  
AHRAM CANADIAN UNIVERSITY