

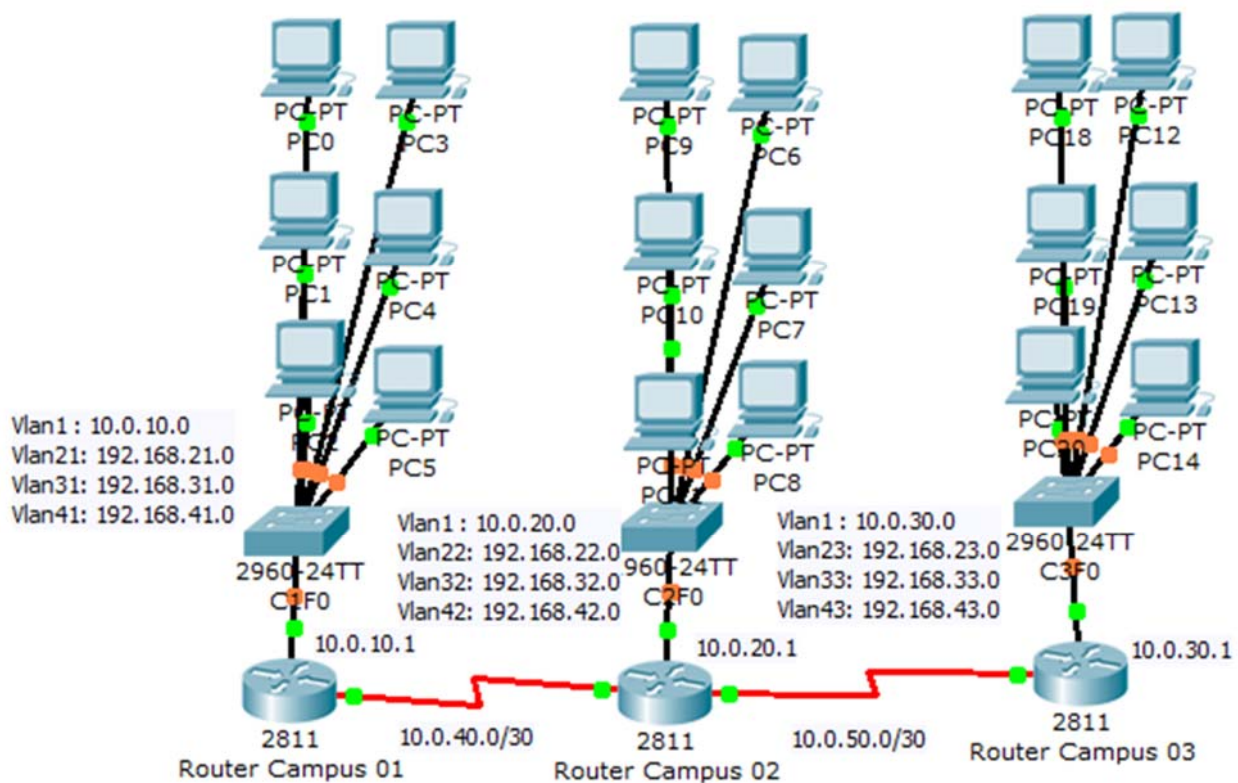


Practical Training 03

By:

Dr. Ahmed ElShafee

Dr. Ahmed ElShafee, ACU : Fall 2016, Practical App.
Networks II



C1F0

enabl
config t
hostname

interface vlan 1
ip address 10.0.10.3 255.255.255.0
no shutdown

vlan 21
name Admin

vlan 31
name HR

vlan 41
name Finance

interface range fa0/22-24
switchport mode trunk

interface range fa0/1-7
switchport mode access
switchport access vlan 21

interface range fa0/8-14
switchport mode access
switchport access vlan 31

interface range fa0/15-21
switchport mode access
switchport access vlan 41

ip default-gateway 10.0.10.1

end

Dr. Ahmed ElShafee, ACU : Fall 2016, Practical App. Networks II

C1Router

enable
Config t
hostname C1Router

Interface fa0/0
IP address 10.0.10.1 255.255.255.0
No sh

interface fa0/0.1
encapsulation dot1q 21
IP address 192.168.21.1 255.255.255.0
No sh

interface fa0/0.2
encapsulation dot1q 31
IP address 192.168.31.1 255.255.255.0
No sh

interface fa0/0.3
encapsulation dot1q 41
IP address 192.168.41.1 255.255.255.0
No sh

Interface Serial0/3/0
IP address 10.0.40.1 255.255.255.252
clock Rate 19200
no sh

IP Route 192.168.21.0 255.255.255.0 fa0/0
IP Route 192.168.31.0 255.255.255.0 fa0/0
IP Route 192.168.41.0 255.255.255.0 fa0/0
IP route 0.0.0.0 0.0.0.0 serial0/3/0

```

C2F0
*****

enabl
config t
hostname C2F0

interface vlan 1
ip address 10.0.20.3 255.255.255.0
no shutdown

vlan 22
name Admin

vlan 32
name HR

vlan 42
name Finance

interface range fa0/22-24
switchport mode trunk

```

```

interface range fa0/1-7
switchport mode access
switchport access vlan 22

interface range fa0/8-14
switchport mode access
switchport access vlan 32

interface range fa0/15-21
switchport mode access
switchport access vlan 42

ip default-gateway 10.0.20.1

end

```

o

Dr. Ahmed ElShafee, ACU : Fall 2016, Practical App. Networks II

```

C2Router
*****

enable
Config t
hostname C2Router

Interface fa0/0
IP address 10.0.20.1 255.255.255.0
No sh

interface fa0/0.1
encapsulation dot1q 22
IP address 192.168.22.1 255.255.255.0
No sh

interface fa0/0.2
encapsulation dot1q 32
IP address 192.168.32.1 255.255.255.0
No sh

interface fa0/0.3
encapsulation dot1q 42
IP address 192.168.42.1 255.255.255.0
No sh

```

```

Interface fa0/1
IP address 192.168.1.2 255.255.255.0
No sh

Interface Serial0/3/1
IP address 10.0.50.2 255.255.255.252
no sh

Interface Serial0/3/0
IP address 10.0.40.2 255.255.255.252
no sh

IP Route 192.168.23.0 255.255.255.0
serial0/3/1
IP Route 192.168.33.0 255.255.255.0
serial0/3/1
IP Route 192.168.43.0 255.255.255.0
serial0/3/1
IP Route 10.0.30.0 255.255.255.0
serial0/3/1

IP Route 192.168.21.0 255.255.255.0
serial0/3/0
IP Route 192.168.31.0 255.255.255.0

```

```
serial0/3/0
IP Route 192.168.41.0 255.255.255.0
serial0/3/0
IP Route 10.0.10.0 255.255.255.0
serial0/3/0
```

```
IP Route 192.168.22.0 255.255.255.0 fa0/0
IP Route 192.168.32.0 255.255.255.0 fa0/0
IP Route 192.168.42.0 255.255.255.0 fa0/0
```

```
IP route 0.0.0.0 0.0.0.0 fa0/1
```

Y

Dr. Ahmed ElShafee, ACU : Fall 2016, Practical App. Networks II

```
C3F0
*****
enabl
config t
hostname C3F0

interface vlan 1
ip address 10.0.30.3 255.255.255.0
no shutdown

vlan 23
name Admin

vlan 33
name HR

vlan 43
name Finance

interface range fa0/22-24
switchport mode trunk
```

```
interface range fa0/1-7
switchport mode access
switchport access vlan 23

interface range fa0/8-14
switchport mode access
switchport access vlan 33

interface range fa0/15-21
switchport mode access
switchport access vlan 43

ip default-gateway 10.0.30.1

end
```

A

Dr. Ahmed ElShafee, ACU : Fall 2016, Practical App. Networks II

C3Router

```
enable
Config t
hostname C3Router
```

```
Interface fa0/0
IP address 10.0.30.1 255.255.255.0
No sh
```

```
interface fa0/0.1
encapsulation dot1q 23
IP address 192.168.23.1 255.255.255.0
No sh
```

```
interface fa0/0.2
encapsulation dot1q 33
IP address 192.168.33.1 255.255.255.0
No sh
```

```
interface fa0/0.3
encapsulation dot1q 43
IP address 192.168.43.1 255.255.255.0
No sh
```

```
Interface Serial0/3/1
IP address 10.0.50.1 255.255.255.252
clock Rate 19200
no sh
```

```
IP Route 192.168.23.0 255.255.255.0 fa0/0
IP Route 192.168.33.0 255.255.255.0 fa0/0
IP Route 192.168.43.0 255.255.255.0 fa0/0
IP route 0.0.0.0 0.0.0.0 serial0/3/1
```



Thanks,..
See you next week (ISA),...