

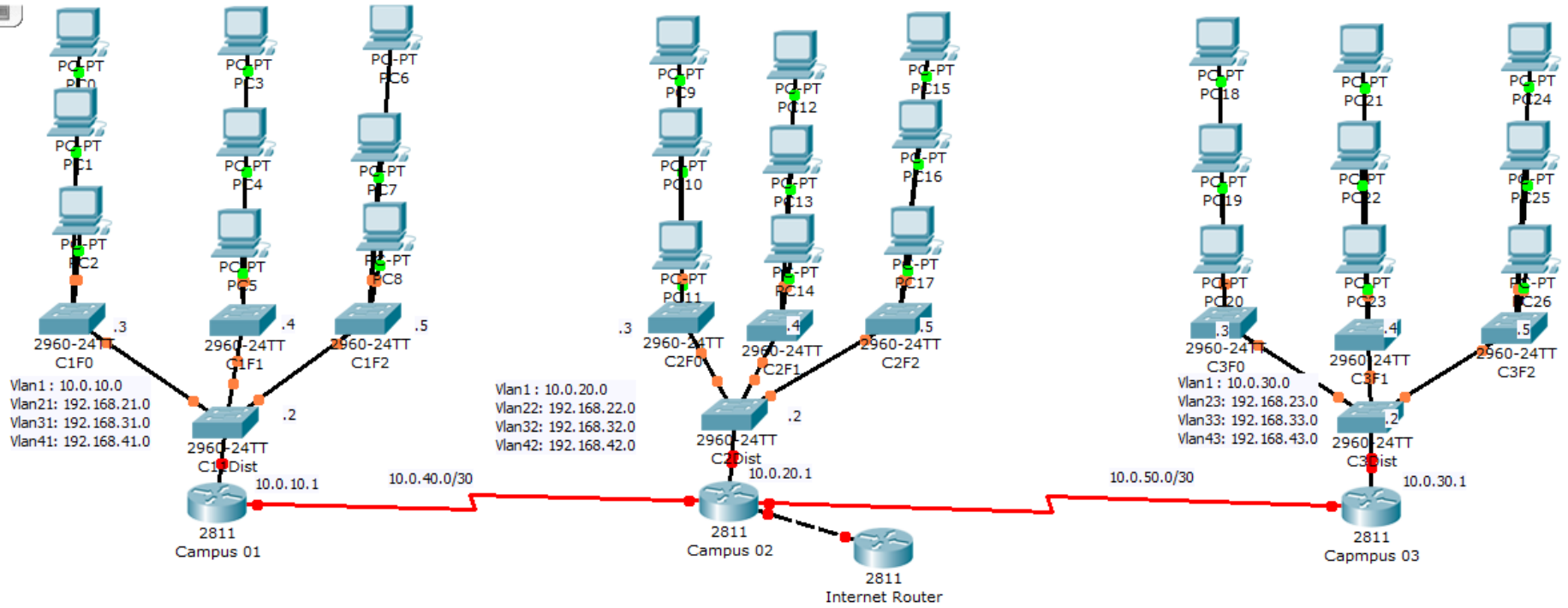


Course name: Specialized Practical Applications Exam number: Final - Revision sheet
Course Code: CNE414 Exam Date: Jan 2016
Lecturer: Dr. Ahmed ElShafee Time Allowed: 60 minutes

Name: _____

ID: _____







```
enabl
config t
hostname C1Dist
interface vlan 1
ip address 10.0.10.2 255.255.255.0
no shutdown
vlan 21
name Admin
vlan 31
name HR
vlan 41
name Finance
interface range fa0/1-24
switchport mode trunk
ip default-gateway 10.0.10.1
end
```

```
enabl
config t
hostname C1F0
interface vlan 1
ip address 10.0.10.3 255.255.255.0
no shutdown
vlan 21
name Admin
vlan 31
name HR
vlan 41
name Finance
interface range fa0/22-24
switchport mode trunk
interface range fa0/1-7
switchport mode access
switchport access vlan 21
interface range fa0/8-14
switchport mode access
switchport access vlan 31
interface range fa0/15-21
switchport mode access
switchport access vlan 41
ip default-gateway 10.0.10.1
end
```

```
enabl
config t
hostname C1F1
interface vlan 1
```



```
ip address 10.0.10.4 255.255.255.0
no shutdown
vlan 21
name Admin
vlan 31
name HR
vlan 41
name Finance
interface range fa0/22-24
switchport mode trunk
interface range fa0/1-7
switchport mode access
switchport access vlan 21
interface range fa0/8-14
switchport mode access
switchport access vlan 31
interface range fa0/15-21
switchport mode access
switchport access vlan 41
ip default-gateway 10.0.10.1
end
```

```
enabl
config t
hostname C1F2
interface vlan 1
ip address 10.0.10.5 255.255.255.0
no shutdown
vlan 21
name Admin
vlan 31
name HR
vlan 41
name Finance
interface range fa0/22-24
switchport mode trunk
interface range fa0/1-7
switchport mode access
switchport access vlan 21
interface range fa0/8-14
switchport mode access
switchport access vlan 31
interface range fa0/15-21
switchport mode access
switchport access vlan 41
ip default-gateway 10.0.10.1
end
```



```
enable
Config t
hostname C1Router
Interface fa0/0
IP address 10.0.10.1 255.255.255.0
No sh
interface fa0/0.1
encapsulation dot1q 21
IP address 192.168.21.1 255.255.255.0
No sh
interface fa0/0.2
encapsulation dot1q 31
IP address 192.168.31.1 255.255.255.0
No sh
interface fa0/0.3
encapsulation dot1q 41
IP address 192.168.41.1 255.255.255.0
No sh
Interface Serial0/3/0
IP address 10.0.40.1 255.255.255.252
clock Rate 19200
no sh
IP Route 192.168.21.0 255.255.255.0 fa0/0
IP Route 192.168.31.0 255.255.255.0 fa0/0
IP Route 192.168.41.0 255.255.255.0 fa0/0
IP route 0.0.0.0 0.0.0.0 serial0/3/0
```

```
enabl
config t
hostname C2Dist
interface vlan 1
ip address 10.0.20.2 255.255.255.0
no shutdown
vlan 22
name Admin
vlan 32
name HR
vlan 42
name Finance
interface range fa0/1-24
switchport mode trunk
ip default-gateway 10.0.20.1
end
```

```
enabl
config t
hostname C2F0
interface vlan 1
```



```
ip address 10.0.20.3 255.255.255.0
no shutdown
vlan 22
name Admin
vlan 32
name HR
vlan 42
name Finance
interface range fa0/22-24
switchport mode trunk
interface range fa0/1-7
switchport mode access
switchport access vlan 22
interface range fa0/8-14
switchport mode access
switchport access vlan 32
interface range fa0/15-21
switchport mode access
switchport access vlan 42
ip default-gateway 10.0.20.1
end
```

```
enabl
config t
hostname C2F1
interface vlan 1
ip address 10.0.20.4 255.255.255.0
no shutdown
vlan 22
name Admin
vlan 32
name HR
vlan 42
name Finance
interface range fa0/22-24
switchport mode trunk
interface range fa0/1-7
switchport mode access
switchport access vlan 22
interface range fa0/8-14
switchport mode access
switchport access vlan 32
interface range fa0/15-21
switchport mode access
switchport access vlan 42
ip default-gateway 10.0.20.1
end
```



```
enabl
config t
hostname C2F2
interface vlan 1
ip address 10.0.20.5 255.255.255.0
no shutdown
vlan 22
name Admin
vlan 32
name HR
vlan 42
name Finance
interface range fa0/22-24
switchport mode trunk
interface range fa0/1-7
switchport mode access
switchport access vlan 22
interface range fa0/8-14
switchport mode access
switchport access vlan 32
interface range fa0/15-21
switchport mode access
switchport access vlan 42
ip default-gateway 10.0.20.1
end
```

```
enable
Config t
hostname C2Router
Interface fa0/0
IP address 10.0.20.1 255.255.255.0
No sh
interface fa0/0.1
encapsulation dot1q 22
IP address 192.168.22.1 255.255.255.0
No sh
interface fa0/0.2
encapsulation dot1q 32
IP address 192.168.32.1 255.255.255.0
No sh
interface fa0/0.3
encapsulation dot1q 42
IP address 192.168.42.1 255.255.255.0
No sh
Interface fa0/1
IP address 192.168.1.2 255.255.255.0
No sh
```



```
Interface Serial0/3/1
IP address 10.0.50.2 255.255.255.252
no sh
Interface Serial0/3/0
IP address 10.0.40.2 255.255.255.252
no sh
IP Route 192.168.23.0 255.255.255.0 serial0/3/1
IP Route 192.168.33.0 255.255.255.0 serial0/3/1
IP Route 192.168.43.0 255.255.255.0 serial0/3/1
IP Route 10.0.30.0 255.255.255.0 serial0/3/1
IP Route 192.168.21.0 255.255.255.0 serial0/3/0
IP Route 192.168.31.0 255.255.255.0 serial0/3/0
IP Route 192.168.41.0 255.255.255.0 serial0/3/0
IP Route 10.0.10.0 255.255.255.0 serial0/3/0
IP Route 192.168.22.0 255.255.255.0 fa0/0
IP Route 192.168.32.0 255.255.255.0 fa0/0
IP Route 192.168.42.0 255.255.255.0 fa0/0
IP route 0.0.0.0 0.0.0.0 fa0/1
```

```
enabl
config t
hostname C3Dist
interface vlan 1
ip address 10.0.30.2 255.255.255.0
no shutdown
vlan 23
name Admin
vlan 33
name HR
vlan 43
name Finance
interface range fa0/1-24
switchport mode trunk
ip default-gateway 10.0.30.1
end
```

```
enabl
config t
hostname C3F0
interface vlan 1
ip address 10.0.30.3 255.255.255.0
no shutdown
vlan 23
name Admin
vlan 33
name HR
vlan 43
name Finance
```




```
interface range fa0/22-24
switchport mode trunk
interface range fa0/1-7
switchport mode access
switchport access vlan 23
interface range fa0/8-14
switchport mode access
switchport access vlan 33
interface range fa0/15-21
switchport mode access
switchport access vlan 43
ip default-gateway 10.0.30.1
end
```

```
enabl
config t
hostname C3F1
interface vlan 1
ip address 10.0.30.4 255.255.255.0
no shutdown
vlan 23
name Admin
vlan 33
name HR
vlan 43
name Finance
interface range fa0/22-24
switchport mode trunk
interface range fa0/1-7
switchport mode access
switchport access vlan 23
interface range fa0/8-14
switchport mode access
switchport access vlan 33
interface range fa0/15-21
switchport mode access
switchport access vlan 43
ip default-gateway 10.0.30.1
end
```

```
enabl
config t
hostname C3F2
interface vlan 1
ip address 10.0.30.5 255.255.255.0
no shutdown
vlan 23
name Admin
```



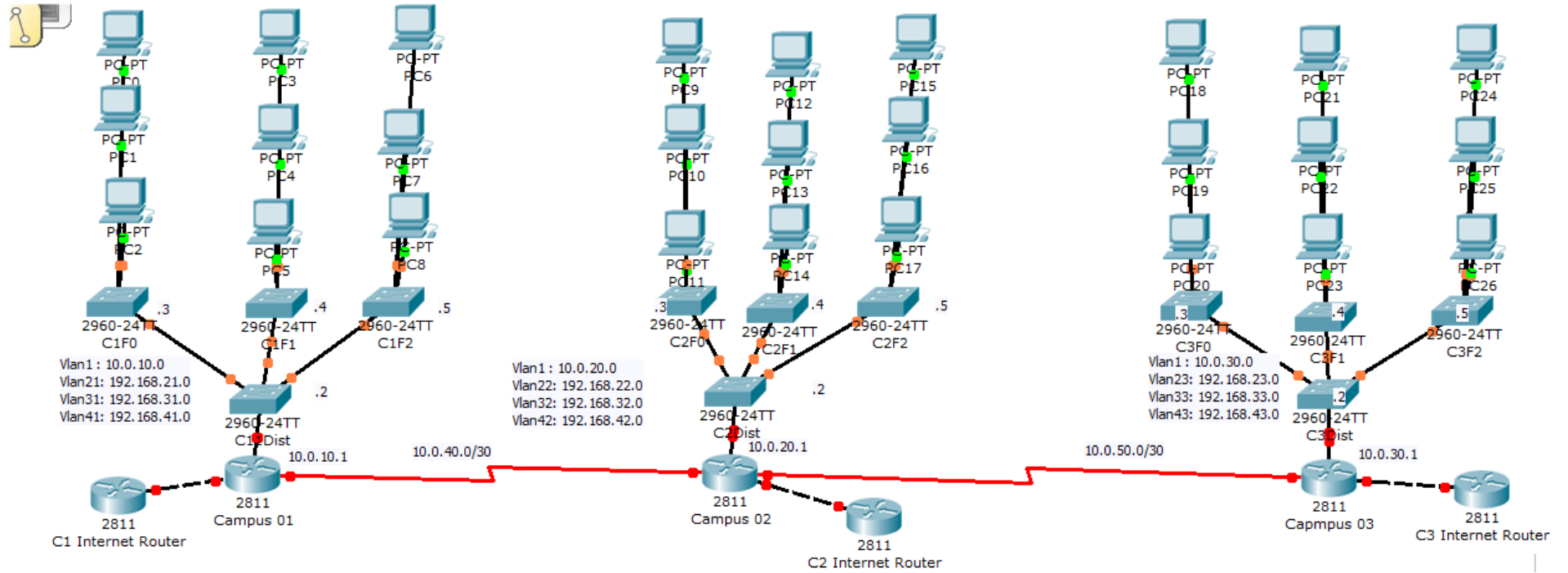
```
vlan 33
name HR
vlan 43
name Finance
interface range fa0/22-24
switchport mode trunk
interface range fa0/1-7
switchport mode access
switchport access vlan 23
interface range fa0/8-14
switchport mode access
switchport access vlan 33
interface range fa0/15-21
switchport mode access
switchport access vlan 43
ip default-gateway 10.0.30.1
end
```

```
enable
Config t
hostname C3Router
Interface fa0/0
IP address 10.0.30.1 255.255.255.0
No sh
interface fa0/0.1
encapsulation dot1q 23
IP address 192.168.23.1 255.255.255.0
No sh
interface fa0/0.2
encapsulation dot1q 33
IP address 192.168.33.1 255.255.255.0
No sh
interface fa0/0.3
encapsulation dot1q 43
IP address 192.168.43.1 255.255.255.0
No sh
Interface Serial0/3/1
IP address 10.0.50.1 255.255.255.252
clock Rate 19200
no sh
IP Route 192.168.23.0 255.255.255.0 fa0/0
IP Route 192.168.33.0 255.255.255.0 fa0/0
IP Route 192.168.43.0 255.255.255.0 fa0/0
IP route 0.0.0.0 0.0.0.0 serial0/3/1
```

```
enable
Config t
hostname InternetRouter
```



```
Interface fa0/1
IP address 192.168.1.1 255.255.255.0
No sh
interface loopback 0
no sh
ip address 8.8.8.8 255.255.255.255
interface loopback 1
no sh
ip address 4.2.2.2 255.255.255.255
IP route 0.0.0.0 0.0.0.0 fa0/1
```





```
enable
Config t
hostname C1InternetRouter
Interface fa0/1
IP address 192.168.1.1 255.255.255.0
No sh
interface loopback 0
no sh
ip address 8.8.8.8 255.255.255.255
interface loopback 1
no sh
ip address 4.2.2.2 255.255.255.255
interface loopback 2
no sh
ip address 2.2.2.2 255.255.255.255
interface loopback 2
no sh
ip address 1.1.1.1 255.255.255.255
IP route 0.0.0.0 0.0.0.0 fa0/1
```

```
enabl
config t
hostname C1Dist
interface vlan 1
ip address 10.0.10.2 255.255.255.0
no shutdown
vlan 21
name Admin
vlan 31
name HR
vlan 41
name Finance
interface range fa0/1-24
switchport mode trunk
ip default-gateway 10.0.10.1
end
```

```
enabl
config t
hostname C1F0
interface vlan 1
ip address 10.0.10.3 255.255.255.0
no shutdown
vlan 21
name Admin
```



```
vlan 31
name HR
vlan 41
name Finance
interface range fa0/22-24
switchport mode trunk
interface range fa0/1-7
switchport mode access
switchport access vlan 21
interface range fa0/8-14
switchport mode access
switchport access vlan 31
interface range fa0/15-21
switchport mode access
switchport access vlan 41
ip default-gateway 10.0.10.1
end
```

```
enabl
config t
hostname C1F1
interface vlan 1
ip address 10.0.10.4 255.255.255.0
no shutdown
vlan 21
name Admin
vlan 31
name HR
vlan 41
name Finance
interface range fa0/22-24
switchport mode trunk
interface range fa0/1-7
switchport mode access
switchport access vlan 21
interface range fa0/8-14
switchport mode access
switchport access vlan 31
interface range fa0/15-21
switchport mode access
switchport access vlan 41
ip default-gateway 10.0.10.1
end
```

```
enabl
config t
hostname C1F2
```



```
interface vlan 1
ip address 10.0.10.5 255.255.255.0
no shutdown
vlan 21
name Admin
vlan 31
name HR
vlan 41
name Finance
interface range fa0/22-24
switchport mode trunk
interface range fa0/1-7
switchport mode access
switchport access vlan 21
interface range fa0/8-14
switchport mode access
switchport access vlan 31
interface range fa0/15-21
switchport mode access
switchport access vlan 41
ip default-gateway 10.0.10.1
end
```

```
enable
Config t
hostname C1Router
Interface fa0/0
IP address 10.0.10.1 255.255.255.0
No sh
interface fa0/0.1
encapsulation dot1q 21
IP address 192.168.21.1 255.255.255.0
No sh
interface fa0/0.2
encapsulation dot1q 31
IP address 192.168.31.1 255.255.255.0
No sh
interface fa0/0.3
encapsulation dot1q 41
IP address 192.168.41.1 255.255.255.0
No sh
Interface Serial0/3/0
IP address 10.0.40.1 255.255.255.252
clock Rate 19200
no sh
Interface fa0/1
```



```
IP address 192.168.1.2 255.255.255.0
No sh
IP Route 192.168.21.0 255.255.255.0 fa0/0
IP Route 192.168.31.0 255.255.255.0 fa0/0
IP Route 192.168.41.0 255.255.255.0 fa0/0
IP Route 192.168.22.0 255.255.255.0 serial0/3/0
IP Route 192.168.32.0 255.255.255.0 serial0/3/0
IP Route 192.168.42.0 255.255.255.0 serial0/3/0
IP Route 192.168.23.0 255.255.255.0 serial0/3/0
IP Route 192.168.33.0 255.255.255.0 serial0/3/0
IP Route 192.168.43.0 255.255.255.0 serial0/3/0
IP route 10.0.20.0 255.255.255.0 serial0/3/0
IP route 10.0.30.0 255.255.255.0 serial0/3/0
IP route 10.0.50.0 255.255.255.0 serial0/3/0
IP route 0.0.0.0 0.0.0.0 Fa0/1
```

```
enable
Config t
hostname C2InternetRouter
Interface fa0/1
IP address 192.168.1.1 255.255.255.0
No sh
interface loopback 0
no sh
ip address 8.8.8.8 255.255.255.255
interface loopback 1
no sh
ip address 4.2.2.2 255.255.255.255
interface loopback 2
no sh
ip address 2.2.2.2 255.255.255.255
IP route 0.0.0.0 0.0.0.0 fa0/1
```

```
enabl
config t
hostname C2Dist
interface vlan 1
ip address 10.0.20.2 255.255.255.0
no shutdown
vlan 22
name Admin
vlan 32
name HR
vlan 42
name Finance
interface range fa0/1-24
switchport mode trunk
```




```
ip default-gateway 10.0.20.1  
end
```

```
enabl  
config t  
hostname C2F0  
interface vlan 1  
ip address 10.0.20.3 255.255.255.0  
no shutdown  
vlan 22  
name Admin  
vlan 32  
name HR  
vlan 42  
name Finance  
interface range fa0/22-24  
switchport mode trunk  
interface range fa0/1-7  
switchport mode access  
switchport access vlan 22  
interface range fa0/8-14  
switchport mode access  
switchport access vlan 32  
interface range fa0/15-21  
switchport mode access  
switchport access vlan 42  
ip default-gateway 10.0.20.1  
end
```

```
enabl  
config t  
hostname C2F1  
interface vlan 1  
ip address 10.0.20.4 255.255.255.0  
no shutdown  
vlan 22  
name Admin  
vlan 32  
name HR  
vlan 42  
name Finance  
interface range fa0/22-24  
switchport mode trunk  
interface range fa0/1-7  
switchport mode access  
switchport access vlan 22  
interface range fa0/8-14
```



```
switchport mode access
switchport access vlan 32
interface range fa0/15-21
switchport mode access
switchport access vlan 42
ip default-gateway 10.0.20.1
end
```

```
enabl
config t
hostname C2F2
interface vlan 1
ip address 10.0.20.5 255.255.255.0
no shutdown
vlan 22
name Admin
vlan 32
name HR
vlan 42
name Finance
interface range fa0/22-24
switchport mode trunk
interface range fa0/1-7
switchport mode access
switchport access vlan 22
interface range fa0/8-14
switchport mode access
switchport access vlan 32
interface range fa0/15-21
switchport mode access
switchport access vlan 42
ip default-gateway 10.0.20.1
end
```

```
enable
Config t
hostname C2Router
Interface fa0/0
IP address 10.0.20.1 255.255.255.0
No sh
interface fa0/0.1
encapsulation dot1q 22
IP address 192.168.22.1 255.255.255.0
No sh
interface fa0/0.2
encapsulation dot1q 32
IP address 192.168.32.1 255.255.255.0
```



```
No sh
interface fa0/0.3
encapsulation dot1q 42
IP address 192.168.42.1 255.255.255.0
No sh
Interface fa0/1
IP address 192.168.1.2 255.255.255.0
No sh
Interface Serial0/3/1
IP address 10.0.50.2 255.255.255.252
no sh
Interface Serial0/3/0
IP address 10.0.40.2 255.255.255.252
no sh
IP Route 192.168.23.0 255.255.255.0 serial0/3/1
IP Route 192.168.33.0 255.255.255.0 serial0/3/1
IP Route 192.168.43.0 255.255.255.0 serial0/3/1
IP Route 10.0.30.0 255.255.255.0 serial0/3/1
IP Route 192.168.21.0 255.255.255.0 serial0/3/0
IP Route 192.168.31.0 255.255.255.0 serial0/3/0
IP Route 192.168.41.0 255.255.255.0 serial0/3/0
IP Route 10.0.10.0 255.255.255.0 serial0/3/0
IP Route 192.168.22.0 255.255.255.0 fa0/0
IP Route 192.168.32.0 255.255.255.0 fa0/0
IP Route 192.168.42.0 255.255.255.0 fa0/0
IP route 0.0.0.0 0.0.0.0 fa0/1
```

```
enable
Config t
hostname C3InternetRouter
Interface fa0/1
IP address 192.168.1.1 255.255.255.0
No sh
interface loopback 0
no sh
ip address 8.8.8.8 255.255.255.255
interface loopback 1
no sh
ip address 4.2.2.2 255.255.255.255
interface loopback 2
no sh
ip address 3.3.3.3 255.255.255.255
IP route 0.0.0.0 0.0.0.0 fa0/1
```

```
enabl
config t
hostname C3Dist
```



```
interface vlan 1
ip address 10.0.30.2 255.255.255.0
no shutdown
vlan 23
name Admin
vlan 33
name HR
vlan 43
name Finance
interface range fa0/1-24
switchport mode trunk
ip default-gateway 10.0.30.1
end
```

```
enabl
config t
hostname C3F0
interface vlan 1
ip address 10.0.30.3 255.255.255.0
no shutdown
vlan 23
name Admin
vlan 33
name HR
vlan 43
name Finance
interface range fa0/22-24
switchport mode trunk
interface range fa0/1-7
switchport mode access
switchport access vlan 23
interface range fa0/8-14
switchport mode access
switchport access vlan 33
interface range fa0/15-21
switchport mode access
switchport access vlan 43
ip default-gateway 10.0.30.1
end
```

```
enabl
config t
hostname C3F1
interface vlan 1
ip address 10.0.30.4 255.255.255.0
no shutdown
vlan 23
```



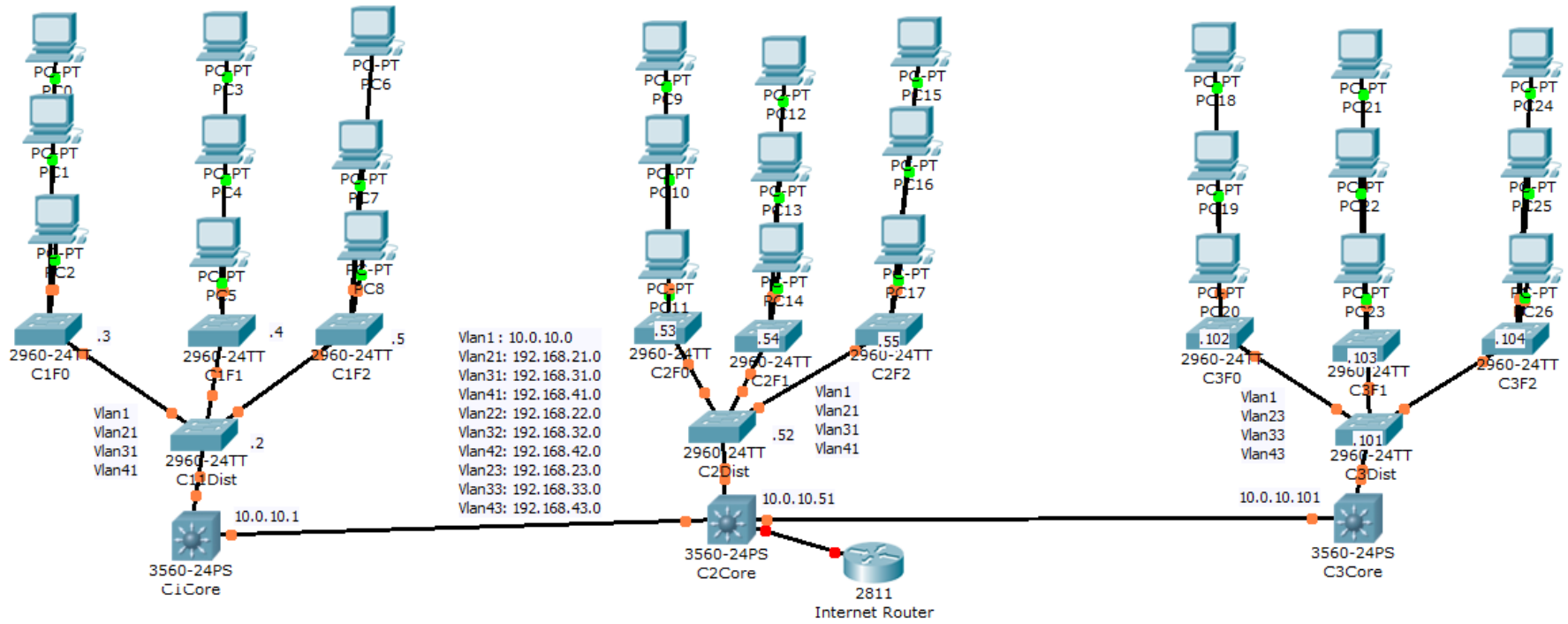
```
name Admin
vlan 33
name HR
vlan 43
name Finance
interface range fa0/22-24
switchport mode trunk
interface range fa0/1-7
switchport mode access
switchport access vlan 23
interface range fa0/8-14
switchport mode access
switchport access vlan 33
interface range fa0/15-21
switchport mode access
switchport access vlan 43
ip default-gateway 10.0.30.1
end
```

```
enabl
config t
hostname C3F2
interface vlan 1
ip address 10.0.30.5 255.255.255.0
no shutdown
vlan 23
name Admin
vlan 33
name HR
vlan 43
name Finance
interface range fa0/22-24
switchport mode trunk
interface range fa0/1-7
switchport mode access
switchport access vlan 23
interface range fa0/8-14
switchport mode access
switchport access vlan 33
interface range fa0/15-21
switchport mode access
switchport access vlan 43
ip default-gateway 10.0.30.1
end
```

```
enable
Config t
```



```
hostname C3Router
Interface fa0/0
IP address 10.0.30.1 255.255.255.0
No sh
interface fa0/0.1
encapsulation dot1q 23
IP address 192.168.23.1 255.255.255.0
No sh
interface fa0/0.2
encapsulation dot1q 33
IP address 192.168.33.1 255.255.255.0
No sh
interface fa0/0.3
encapsulation dot1q 43
IP address 192.168.43.1 255.255.255.0
No sh
Interface Serial0/3/1
IP address 10.0.50.1 255.255.255.252
clock Rate 19200
no sh
Interface fa0/1
IP address 192.168.1.2 255.255.255.0
No sh
IP Route 192.168.23.0 255.255.255.0 fa0/0
IP Route 192.168.33.0 255.255.255.0 fa0/0
IP Route 192.168.43.0 255.255.255.0 fa0/0
IP Route 192.168.21.0 255.255.255.0 serial0/3/1
IP Route 192.168.31.0 255.255.255.0 serial0/3/1
IP Route 192.168.41.0 255.255.255.0 serial0/3/1
IP Route 192.168.22.0 255.255.255.0 serial0/3/1
IP Route 192.168.32.0 255.255.255.0 serial0/3/1
IP Route 192.168.42.0 255.255.255.0 serial0/3/1
IP Route 10.0.10.0 255.255.255.0 serial0/3/1
IP Route 10.0.20.0 255.255.255.0 serial0/3/1
IP Route 10.0.40.0 255.255.255.0 serial0/3/1
IP route 0.0.0.0 0.0.0.0 fa0/1
```





```
enabl
config t
hostname C1Core
ip routing
interface vlan 1
ip address 10.0.10.1 255.255.255.0
no shutdown
vlan 21
name vlan21
vlan 31
name vlan31
vlan 41
name vlan41
interface range fa0/1-24
switchport trunk encapsulation dot1q
switchport mode trunk
ip route 0.0.0.0 0.0.0.0 10.0.10.51
end
```

```
enabl
config t
hostname C1Dist
interface vlan 1
ip address 10.0.10.2 255.255.255.0
no shutdown
vlan 21
name Admin
vlan 31
name HR
vlan 41
name Finance
interface range fa0/1-24
switchport mode trunk
ip default-gateway 10.0.10.51
end
```

```
enabl
config t
hostname C1F0
interface vlan 1
ip address 10.0.10.3 255.255.255.0
no shutdown
vlan 21
name Admin
vlan 31
```




```
name HR
vlan 41
name Finance
interface range fa0/22-24
switchport mode trunk
interface range fa0/1-7
switchport mode access
switchport access vlan 21
interface range fa0/8-14
switchport mode access
switchport access vlan 31
interface range fa0/15-21
switchport mode access
switchport access vlan 41
ip default-gateway 10.0.10.51
end
```

```
enabl
config t
hostname C1F1
interface vlan 1
ip address 10.0.10.4 255.255.255.0
no shutdown
vlan 21
name Admin
vlan 31
name HR
vlan 41
name Finance
interface range fa0/22-24
switchport mode trunk
interface range fa0/1-7
switchport mode access
switchport access vlan 21
interface range fa0/8-14
switchport mode access
switchport access vlan 31
interface range fa0/15-21
switchport mode access
switchport access vlan 41
ip default-gateway 10.0.10.51
end
```

```
enabl
config t
hostname C1F2
interface vlan 1
```



```
ip address 10.0.10.5 255.255.255.0
no shutdown
vlan 21
name Admin
vlan 31
name HR
vlan 41
name Finance
interface range fa0/22-24
switchport mode trunk
interface range fa0/1-7
switchport mode access
switchport access vlan 21
interface range fa0/8-14
switchport mode access
switchport access vlan 31
interface range fa0/15-21
switchport mode access
switchport access vlan 41
ip default-gateway 10.0.10.51
end
```

```
enabl
config t
hostname C2Core
ip routing
interface vlan 1
ip address 10.0.10.51 255.255.255.0
no shutdown
vlan 21
name vlan21
interface vlan 21
ip address 192.168.21.1 255.255.255.0
no shutdown
vlan 22
name vlan22
interface vlan 22
ip address 192.168.22.1 255.255.255.0
no shutdown
vlan 23
name vlan23
interface vlan 23
ip address 192.168.23.1 255.255.255.0
no shutdown
vlan 31
name vlan31
```



```
interface vlan 31
ip address 192.168.31.1 255.255.255.0
no shutdown
vlan 32
name vlan32
interface vlan 32
ip address 192.168.32.1 255.255.255.0
no shutdown
vlan 33
name vlan33
interface vlan 33
ip address 192.168.33.1 255.255.255.0
no shutdown
vlan 41
```

```
name vlan41
interface vlan 41
ip address 192.168.41.1 255.255.255.0
no shutdown
vlan 42
name vlan42
interface vlan 42
ip address 192.168.42.1 255.255.255.0
no shutdown
vlan 43
name vlan43
interface vlan 43
ip address 192.168.43.1 255.255.255.0
no shutdown
interface range fa0/1-24
switchport trunk encapsulation dot1q
switchport mode trunk
ip route 0.0.0.0 0.0.0.0 10.0.10.254
spanning-tree vlan 1,21,22,23,31,32,33,41,42,43,192 root primary
end
```

```
enabl
config t
hostname C2Dist
interface vlan 1
ip address 10.0.10.52 255.255.255.0
no shutdown
vlan 22
name Admin
vlan 32
name HR
vlan 42
```



```
name Finance
interface range fa0/1-24
switchport mode trunk
ip default-gateway 10.0.10.51
end
```

```
enabl
config t
hostname C2F0
interface vlan 1
ip address 10.0.10.53 255.255.255.0
no shutdown
vlan 22
name Admin
vlan 32
name HR
vlan 42
name Finance
interface range fa0/22-24
switchport mode trunk
interface range fa0/1-7
switchport mode access
switchport access vlan 22
interface range fa0/8-14
switchport mode access
switchport access vlan 32
interface range fa0/15-21
switchport mode access
switchport access vlan 42
ip default-gateway 10.0.10.51
end
```

```
enabl
config t
hostname C2F1
interface vlan 1
ip address 10.0.10.54 255.255.255.0
no shutdown
vlan 22
name Admin
vlan 32
name HR
vlan 42
name Finance
interface range fa0/22-24
switchport mode trunk
interface range fa0/1-7
```



```
switchport mode access
switchport access vlan 22
interface range fa0/8-14
switchport mode access
switchport access vlan 32
interface range fa0/15-21
switchport mode access
switchport access vlan 42
ip default-gateway 10.0.10.51
end
```

```
enabl
config t
hostname C2F2
interface vlan 1
ip address 10.0.10.55 255.255.255.0
no shutdown
vlan 22
name Admin
vlan 32
name HR
vlan 42
name Finance
interface range fa0/22-24
switchport mode trunk
interface range fa0/1-7
switchport mode access
switchport access vlan 22
interface range fa0/8-14
switchport mode access
switchport access vlan 32
interface range fa0/15-21
switchport mode access
switchport access vlan 42
ip default-gateway 10.0.10.51
end
```

```
enabl
config t
hostname C3Core
ip routing
interface vlan 1
ip address 10.0.10.101 255.255.255.0
no shutdown
vlan 23
name vlan23
vlan 33
```



```
name vlan33
vlan 43
name vlan43
interface range fa0/1-24
switchport trunk encapsulation dot1q
switchport mode trunk
ip route 0.0.0.0 0.0.0.0 10.0.10.51
end
```

```
enabl
config t
hostname C3Dist
interface vlan 1
ip address 10.0.10.102 255.255.255.0
no shutdown
vlan 23
name Admin
vlan 33
name HR
vlan 43
name Finance
interface range fa0/1-24
switchport mode trunk
ip default-gateway 10.0.10.51
end
```

```
enabl
config t
hostname C3F0
interface vlan 1
ip address 10.0.10.103 255.255.255.0
no shutdown
vlan 23
name Admin
vlan 33
name HR
vlan 43
name Finance
interface range fa0/22-24
switchport mode trunk
interface range fa0/1-7
switchport mode access
switchport access vlan 23
interface range fa0/8-14
switchport mode access
switchport access vlan 33
interface range fa0/15-21
```



```
switchport mode access
switchport access vlan 43
ip default-gateway 10.0.10.51
end
```

```
enabl
config t
hostname C3F1
interface vlan 1
ip address 10.0.10.104 255.255.255.0
no shutdown
vlan 23
name Admin
vlan 33
name HR
vlan 43
name Finance
interface range fa0/22-24
switchport mode trunk
interface range fa0/1-7
switchport mode access
switchport access vlan 23
interface range fa0/8-14
switchport mode access
switchport access vlan 33
interface range fa0/15-21
switchport mode access
switchport access vlan 43
ip default-gateway 10.0.10.51
end
```

```
enabl
config t
hostname C3F2
interface vlan 1
ip address 10.0.10.105 255.255.255.0
no shutdown
vlan 23
name Admin
vlan 33
name HR
vlan 43
name Finance
interface range fa0/22-24
switchport mode trunk
interface range fa0/1-7
switchport mode access
```



```
switchport access vlan 23
interface range fa0/8-14
switchport mode access
switchport access vlan 33
interface range fa0/15-21
switchport mode access
switchport access vlan 43
ip default-gateway 10.0.10.51
end
```

```
enable
Config t
hostname InternetRouter
Interface fa0/0
IP address 10.0.10.254 255.255.255.0
no sh
interface loopback 0
no sh
ip address 8.8.8.8 255.255.255.255
interface loopback 1
no sh
ip address 4.2.2.2 255.255.255.255
IP route 0.0.0.0 0.0.0.0 fa0/0
```