

## Electronics Circuits – Project 05

### Count to N and Recycle

Phase 01: bread board

Phase 02: PCB test board

#	Student ID	Student Name	Grade (10)
1			
2			
3			
4			
5			

Delivery Date	
---------------	--

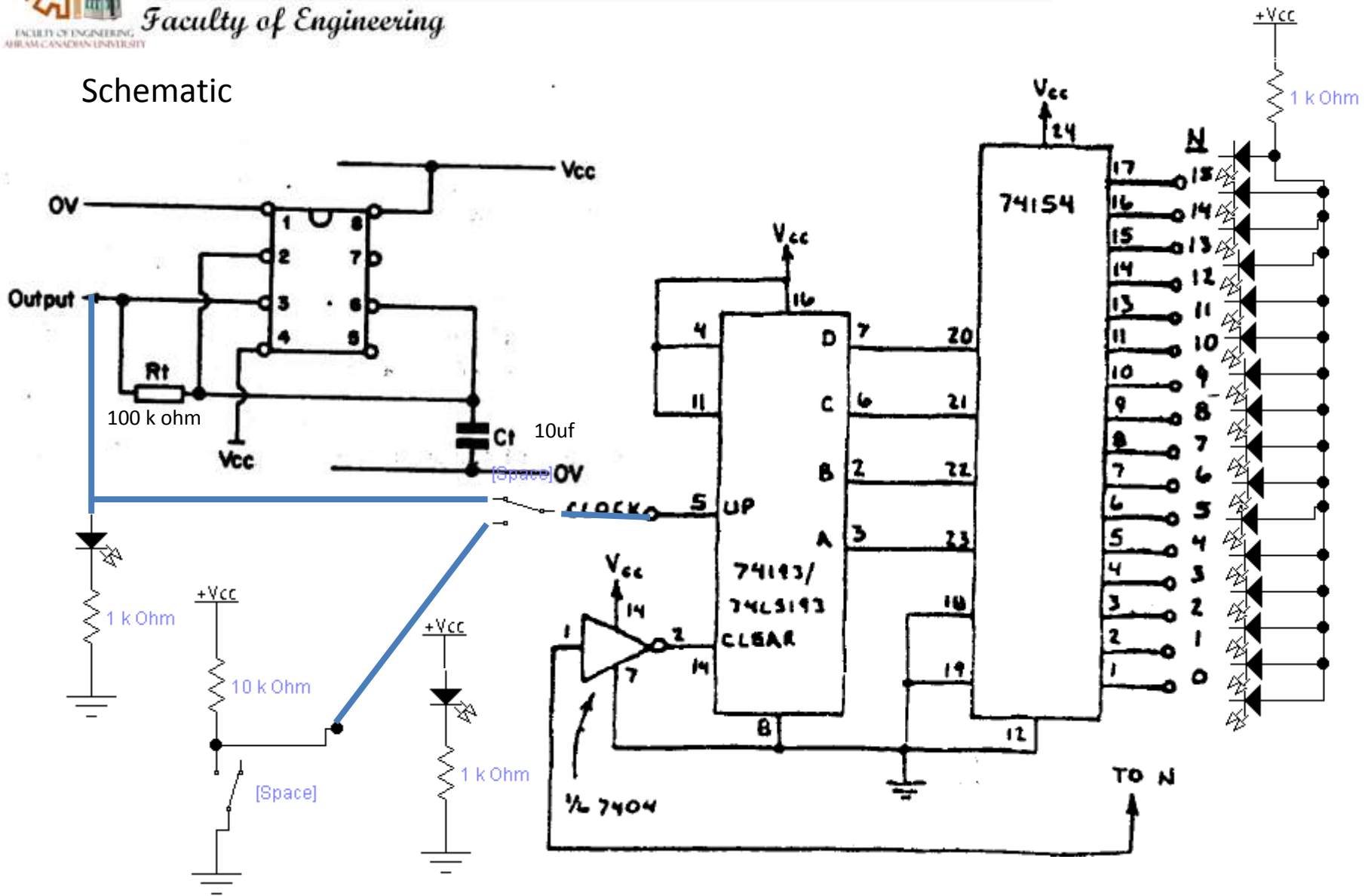
١. يتم تسليم المشروع كالتالي  
المرحلة الأولى خلال أسبوع من تاريخ عرضة  
المرحلة الثانية في خلال أسبوعين فقط من تاريخ عرضة، و يتم حذف  
درجتان و نصف من المشروع عن كل أسبوع تأخير  
٢. يتم تسليم المشروع لمعيد المقرر مباشرة – المشروع يتم إيداعه باسم  
المجموعة بالكلية  
٣. مجموعة الطلبة المتقدمين بأفضل المشاريع سيتم منحهم شهادة تقدير في نهاية  
التيرم، و هدية رمزية من الكلية.

## Objective

Build a functional prototype of automatic/manual N counter and recycle using led.



### Schematic



## Components list

#	item	link	count
1	IC 555	<a href="http://ram-e-shop.com/oscmx/catalog/product_info.php?products_id=609">http://ram-e-shop.com/oscmx/catalog/product_info.php?products_id=609</a>	1
2	8 pins IC base	<a href="http://ram-e-shop.com/oscmx/catalog/product_info.php?products_id=781">http://ram-e-shop.com/oscmx/catalog/product_info.php?products_id=781</a>	1
3	1 K resistor	<a href="http://ram-e-shop.com/oscmx/catalog/product_info.php?cPath=31_46_69&amp;products_id=342">http://ram-e-shop.com/oscmx/catalog/product_info.php?cPath=31_46_69&amp;products_id=342</a>	10
4	10 K	<a href="http://ram-e-shop.com/oscmx/catalog/product_info.php?products_id=362">http://ram-e-shop.com/oscmx/catalog/product_info.php?products_id=362</a>	10
5	100 K	<a href="http://ram-e-shop.com/oscmx/catalog/product_info.php?products_id=383">http://ram-e-shop.com/oscmx/catalog/product_info.php?products_id=383</a>	10
6	led	<a href="http://ram-e-shop.com/oscmx/catalog/product_info.php?cPath=60&amp;products_id=228">http://ram-e-shop.com/oscmx/catalog/product_info.php?cPath=60&amp;products_id=228</a>	20
7	Capacitor = 10 uF	<a href="http://ram-e-shop.com/oscmx/catalog/product_info.php?cPath=30_88&amp;products_id=485">http://ram-e-shop.com/oscmx/catalog/product_info.php?cPath=30_88&amp;products_id=485</a>	4
8	IC 7404	<a href="http://ram-e-shop.com/oscmx/catalog/product_info.php?products_id=81">http://ram-e-shop.com/oscmx/catalog/product_info.php?products_id=81</a>	1
9	14 pin IC base	<a href="http://ram-e-shop.com/oscmx/catalog/product_info.php?products_id=782">http://ram-e-shop.com/oscmx/catalog/product_info.php?products_id=782</a>	1
10	IC 74193	<a href="http://ram-e-shop.com/oscmx/catalog/product_info.php?products_id=112">http://ram-e-shop.com/oscmx/catalog/product_info.php?products_id=112</a>	1
11	16 pin IC base	<a href="http://ram-e-shop.com/oscmx/catalog/product_info.php?products_id=783">http://ram-e-shop.com/oscmx/catalog/product_info.php?products_id=783</a>	1
12	IC 74154	<a href="http://ram-e-shop.com/oscmx/catalog/product_info.php?products_id=105">http://ram-e-shop.com/oscmx/catalog/product_info.php?products_id=105</a>	1
13	24 pins IC base	<a href="http://ram-e-shop.com/oscmx/catalog/product_info.php?products_id=786">http://ram-e-shop.com/oscmx/catalog/product_info.php?products_id=786</a>	1
14	switch	<a href="http://ram-e-shop.com/oscmx/catalog/product_info.php?products_id=786">http://ram-e-shop.com/oscmx/catalog/product_info.php?products_id=786</a>	1



		roducts_id=2714	
15	press	<a href="http://ram-e-shop.com/oscmax/catalog/product_info.php?products_id=2714">http://ram-e-shop.com/oscmax/catalog/product_info.php?products_id=2714</a>	1
16	DC connector	<a href="http://ram-e-shop.com/oscmax/catalog/product_info.php?products_id=1203">http://ram-e-shop.com/oscmax/catalog/product_info.php?products_id=1203</a>	1
17	encluser	<a href="http://ram-e-shop.com/oscmax/catalog/product_info.php?cPath=38&amp;products_id=1378">http://ram-e-shop.com/oscmax/catalog/product_info.php?cPath=38&amp;products_id=1378</a>	1
19	PCB test board	<a href="http://ram-e-shop.com/oscmax/catalog/product_info.php?products_id=2732">http://ram-e-shop.com/oscmax/catalog/product_info.php?products_id=2732</a>	1

