

# Electronics Circuits – Project 05

## Implementing a 2 digits automatic counter with 2x7 segments displays on a welded PCB test board

#	Student ID	Student Name	Grade (10)
1			
2			
3			

Delivery Date	
---------------	--

<p>١. يتم تسليم المشروع في خلال أسبوع واحد فقط من تاريخ عرضة، و يتم حذف درجتان و نصف من المشروع عن كل أسبوع تأخير</p> <p>٢. يتم تسليم المشروع لمعيد المقرر مباشرة – المشروع يتم إيداعه باسم المجموعة بالكلية</p> <p>٣. مجموعة الطلبة المتقدمين بأفضل المشاريع سيتم منحهم شهادة تقدير في نهاية التيرم، و هدية رمزية من الكلية.</p>
---

### Objective

To build a functional prototype of 2 digits counter that displays its counts on 2 x 7-segments displays on a PCB test board



كلية الهندسة

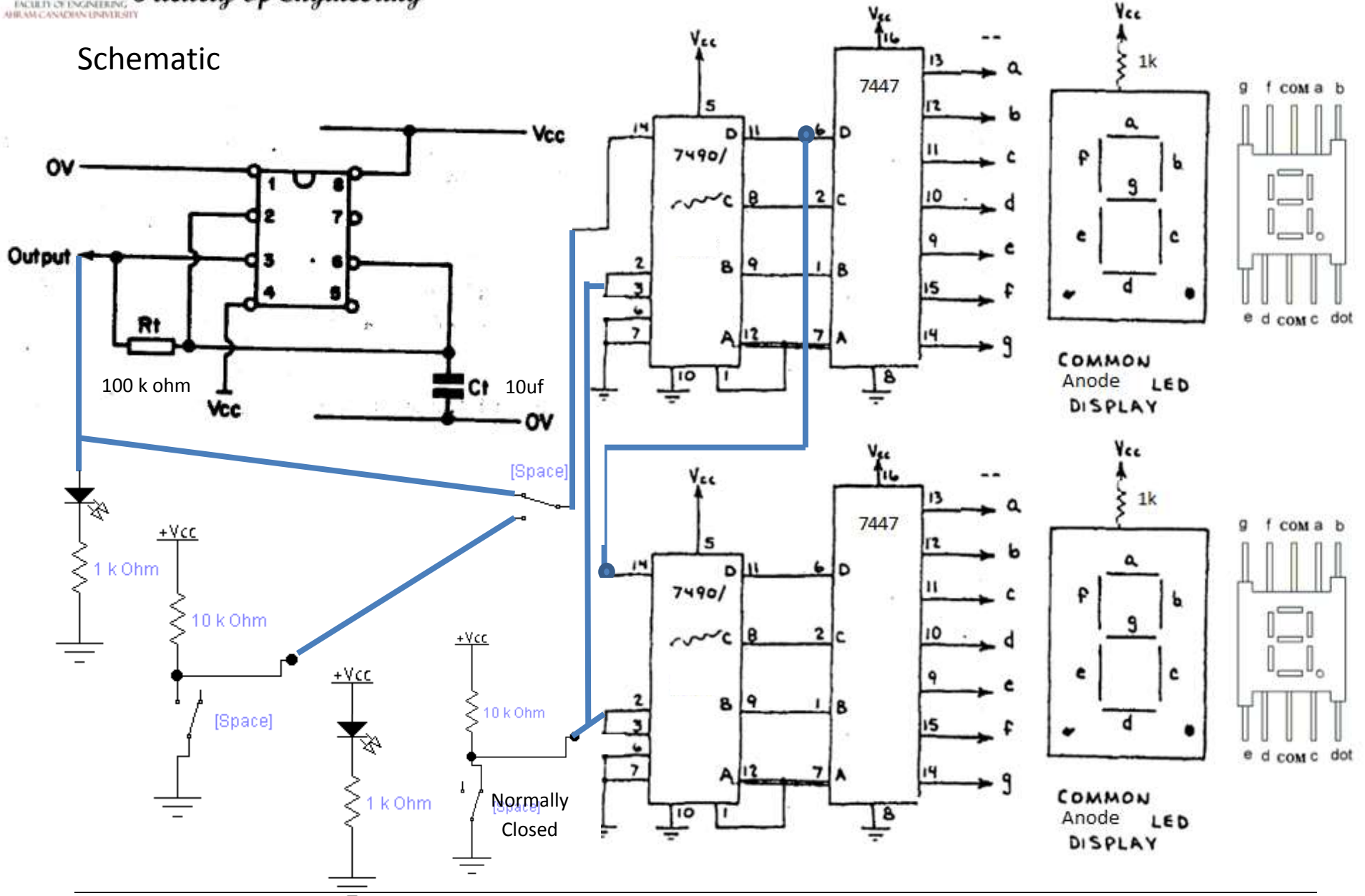
*Faculty of Engineering*



جامعة أهرام كندا  
AHRAM CANADIAN UNIVERSITY



### Schematic



## Components list

#	item	link	count
1	IC 555	<a href="http://ram-e-shop.com/oscmx/catalog/product_info.php?products_id=609">http://ram-e-shop.com/oscmx/catalog/product_info.php?products_id=609</a>	1
2	8 pins IC base	<a href="http://ram-e-shop.com/oscmx/catalog/product_info.php?products_id=781">http://ram-e-shop.com/oscmx/catalog/product_info.php?products_id=781</a>	1
3	1 K resistor	<a href="http://ram-e-shop.com/oscmx/catalog/product_info.php?cPath=31_46_69&amp;products_id=342">http://ram-e-shop.com/oscmx/catalog/product_info.php?cPath=31_46_69&amp;products_id=342</a>	10
4	100 K resistor	<a href="http://ram-e-shop.com/oscmx/catalog/product_info.php?products_id=383">http://ram-e-shop.com/oscmx/catalog/product_info.php?products_id=383</a>	10
5	10 K resistor	<a href="http://ram-e-shop.com/oscmx/catalog/product_info.php?products_id=362">http://ram-e-shop.com/oscmx/catalog/product_info.php?products_id=362</a>	10
6	press	<a href="http://ram-e-shop.com/oscmx/catalog/product_info.php?products_id=2714">http://ram-e-shop.com/oscmx/catalog/product_info.php?products_id=2714</a>	1
7	led	<a href="http://ram-e-shop.com/oscmx/catalog/product_info.php?cPath=60&amp;products_id=228">http://ram-e-shop.com/oscmx/catalog/product_info.php?cPath=60&amp;products_id=228</a>	4
8	IC 7490	<a href="http://ram-e-shop.com/oscmx/catalog/product_info.php?products_id=96">http://ram-e-shop.com/oscmx/catalog/product_info.php?products_id=96</a>	2
9	14 pin IC base	<a href="http://ram-e-shop.com/oscmx/catalog/product_info.php?products_id=782">http://ram-e-shop.com/oscmx/catalog/product_info.php?products_id=782</a>	2
10	IC 7447	<a href="http://ram-e-shop.com/oscmx/catalog/product_info.php?cPath=21_45&amp;products_id=91">http://ram-e-shop.com/oscmx/catalog/product_info.php?cPath=21_45&amp;products_id=91</a>	2
11	16 pin IC base	<a href="http://ram-e-shop.com/oscmx/catalog/product_info.php?products_id=783">http://ram-e-shop.com/oscmx/catalog/product_info.php?products_id=783</a>	2
12	Common Anode 7-segments display	<a href="http://ram-e-shop.com/oscmx/catalog/product_info.php?cPath=152&amp;products_id=1068">http://ram-e-shop.com/oscmx/catalog/product_info.php?cPath=152&amp;products_id=1068</a>	2
13	Female header	<a href="http://ram-e-shop.com/oscmx/catalog/product_info.php?products_id=745">http://ram-e-shop.com/oscmx/catalog/product_info.php?products_id=745</a>	1



14	Capacitor = 10 uF	<a href="http://ram-e-shop.com/oscmx/catalog/product_info.php?cPath=30_88&amp;products_id=485">http://ram-e-shop.com/oscmx/catalog/product_info.php?cPath=30_88&amp;products_id=485</a>	1
15	switch	<a href="http://ram-e-shop.com/oscmx/catalog/product_info.php?products_id=2714">http://ram-e-shop.com/oscmx/catalog/product_info.php?products_id=2714</a>	1
16	DC connector	<a href="http://ram-e-shop.com/oscmx/catalog/product_info.php?products_id=1203">http://ram-e-shop.com/oscmx/catalog/product_info.php?products_id=1203</a>	1
17	enclosure	<a href="http://ram-e-shop.com/oscmx/catalog/product_info.php?cPath=38&amp;products_id=1378">http://ram-e-shop.com/oscmx/catalog/product_info.php?cPath=38&amp;products_id=1378</a>	1
18	PCB test board	<a href="http://ram-e-shop.com/oscmx/catalog/product_info.php?products_id=2732">http://ram-e-shop.com/oscmx/catalog/product_info.php?products_id=2732</a>	1



كلية الهندسة

*Faculty of Engineering*



جامعة أهرام كندا  
AHRAM CANADIAN UNIVERSITY