

Electronics Circuits – Project 04

Build a DC power supply using PCB test board

#	Student ID	Student Name	Grade (10)
1			
2			
3			

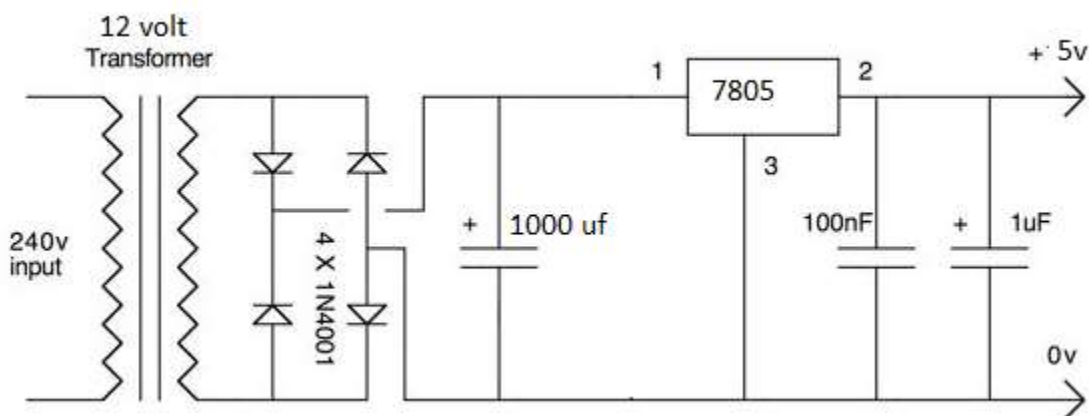
Delivery Date	
---------------	--

1. يتم تسليم المشروع في خلال أسبوع واحد فقط من تاريخ عرضة، و يتم حذف درجتان و نصف من المشروع عن كل أسبوع تأخير
2. يتم تسليم المشروع لمعيد المقرر مباشرة – المشروع يتم إيداعه باسم المجموعة بالكلية
3. مجموعة الطلبة المتقدمين بأفضل المشاريع سيتم منحهم شهادة تقدير في نهاية التيرم، و هدية رمزية من الكلية.

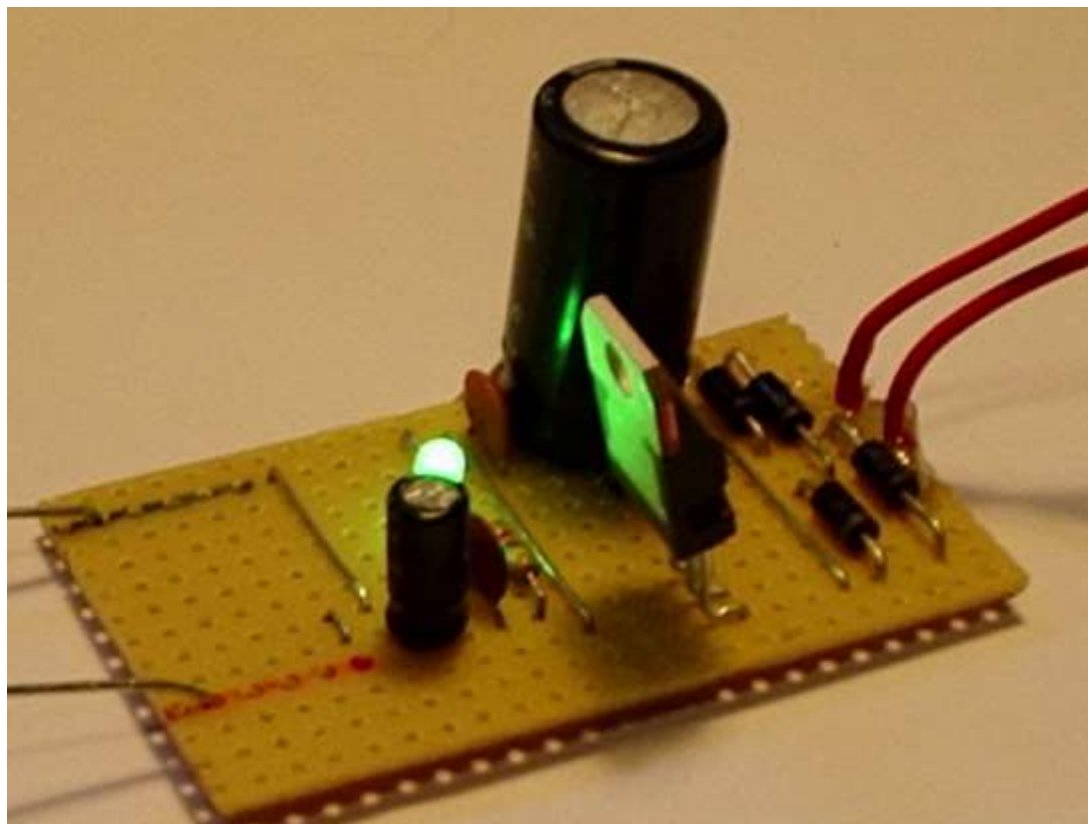
Objective

To build a functional prototype of a DC regulated power supply, using welding test board.

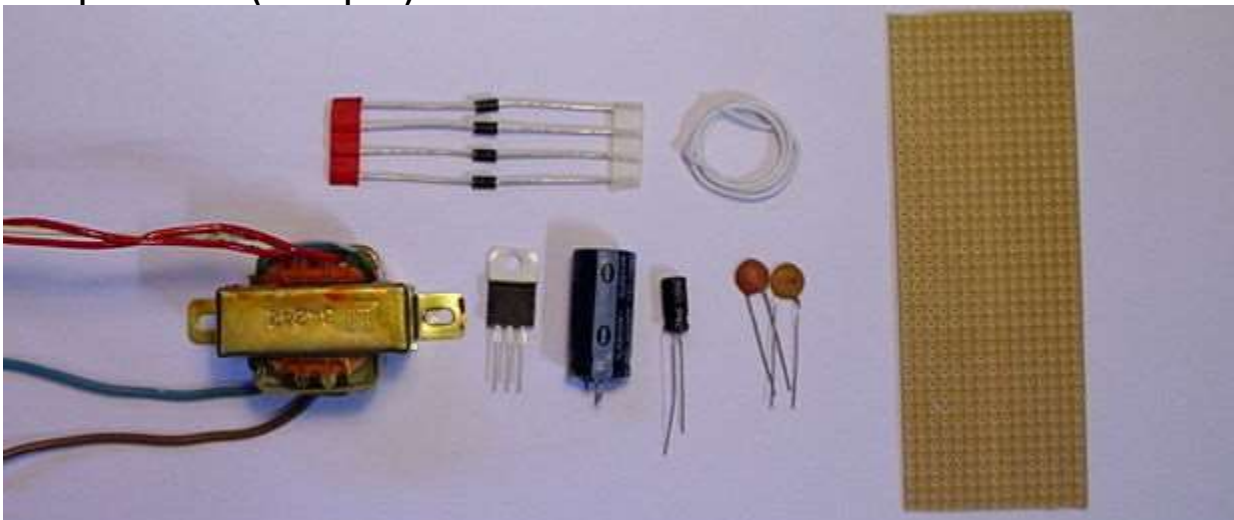
Schematic



Implementation (sample)



Components (sample)



Tools (sample)



Components list

#	item	link	count
0	220 AC Socket + pair of wires	-	0
1	Transformer 220-12	http://ram-e-shop.com/oscmx/catalog/product_info.php?products_id=1098	1
2	Diodes	http://ram-e-shop.com/oscmx/catalog/product_info.php?products_id=904	4
3	Cap 1000u	http://ram-e-shop.com/oscmx/catalog/product_info.php?products_id=529	1
4	Cap 1u	http://ram-e-shop.com/oscmx/catalog/product_info.php?products_id=476	1
5	Cap 0.1 u	http://ram-e-shop.com/oscmx/catalog/product_info.php?products_id=475	1
6	Regulator 7805	http://ram-e-shop.com/oscmx/catalog/product_info.php?products_id=635	1
7	heat sink	http://ram-e-shop.com/oscmx/catalog/product_info.php?products_id=1175	1
8	Resistor 1K	http://ram-e-shop.com/oscmx/catalog/product_info.php?cPath=31_46_69&products_id=342	10
9	LED	http://ram-e-shop.com/oscmx/catalog/product_info.php?cPath=60&products_id=228	4
10	PCB Test board	http://ram-e-shop.com/oscmx/catalog/product_info.php?products_id=2732	1
11	Wires	http://ram-e-shop.com/oscmx/catalog/product_info.php?products_id=1733	1
12	DC connector male	http://ram-e-shop.com/oscmx/catalog/product_info.php?products_id=2329	1
13	Terminal block	http://ram-e-shop.com/oscmx/catalog/product_info.php?products_id=752	2

14	DC connector female for bread board	http://ram-e-shop.com/oscmx/catalog/product_info.php?cPath=33_171&products_id=1257	1
15	enclose	http://ram-e-shop.com/oscmx/catalog/product_info.php?cPath=38&products_id=1378	1

Tools list

16	solder wire	http://ram-e-shop.com/oscmx/catalog/product_info.php?cPath=128_191&products_id=1799	1
17	Soldering PASTE	http://ram-e-shop.com/oscmx/catalog/product_info.php?cPath=128_195&products_id=818	1
18	Desoldering Pump (Japan (http://ram-e-shop.com/oscmx/catalog/product_info.php?cPath=128_131&products_id=814	1
19	wires stripper and cutter	http://ram-e-shop.com/oscmx/catalog/product_info.php?cPath=128_132&products_id=2153	1
20	wire cutter	http://ram-e-shop.com/oscmx/catalog/product_info.php?cPath=128_132&products_id=835	1
21	soldering gun 60 w	http://ram-e-shop.com/oscmx/catalog/product_info.php?cPath=128_130&products_id=810	1
22	Multi meter	http://ram-e-shop.com/oscmx/catalog/product_info.php?products_id=927	1
23	Manual Drill	http://ram-e-shop.com/oscmx/catalog/product_info.php?products_id=245	1



كلية الهندسة

Faculty of Engineering



جامعة أهرام كندا
AHRAM CANADIAN UNIVERSITY