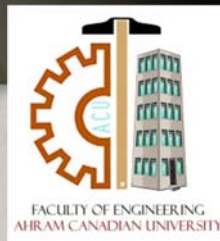




# Lecture (04) Methods of Analysis

By:

**Dr. Ahmed ElShafee**



Dr. Ahmed ElShafee, ACU : Fall 2015, Electric Circuits

## Agenda

- Introduction
- Nodal analysis
- Nodal analysis with dependent source

٢

Dr. Ahmed ElShafee, ACU : Fall 2015, Electric Circuits

## Cramer's Rule

Given a system of linear equations, Cramer's Rule is a handy way to solve for just one of the variables without having to solve the whole system of equations.

Let's use the following system of equations:

$$\begin{aligned}2v_1 + v_2 + v_3 &= 3 \\ v_1 - v_2 - v_3 &= 0 \\ v_1 + 2v_2 + v_3 &= 0\end{aligned}$$

٣

Dr. Ahmed ElShafee, ACU : Fall 2015, Electric Circuits

## Cramer's Rule (2)

We have the left-hand side of the system with the variables (the "coefficient matrix") and the right-hand side with the answer values.

Let  $\Delta$  be the determinant of the coefficient matrix of the above system,

and

let  $\Delta_x$  be the determinant formed by replacing the  $x$ -column values with the answer-column values:

٤

Dr. Ahmed ElShafee, ACU : Fall 2015, Electric Circuits

## Cramer's Rule (3)

system of equations	coefficient matrix's determinant	answer column	$D_x$ : coefficient determinant with answer-column values in x-column
$2v_1 + v_2 + v_3 = 3$ $v_1 - v_2 - v_3 = 0$ $v_1 + 2v_2 + v_3 = 0$	$\Delta = \begin{vmatrix} 2 & 1 & 1 \\ 1 & -1 & -1 \\ 1 & 2 & 1 \end{vmatrix}$	$\begin{bmatrix} 3 \\ 0 \\ 0 \end{bmatrix}$	$\Delta_x = \begin{vmatrix} 3 & 1 & 1 \\ 0 & -1 & -1 \\ 0 & 2 & 1 \end{vmatrix}$

Similarly,  $\Delta_y$  and  $\Delta_z$  would then be:

$$\Delta_y = \begin{vmatrix} 2 & 3 & 1 \\ 1 & 0 & -1 \\ 1 & 0 & 1 \end{vmatrix} \quad \Delta_z = \begin{vmatrix} 2 & 1 & 3 \\ 1 & -1 & 0 \\ 1 & 2 & 0 \end{vmatrix}$$

Dr. Ahmed ElShafee, ACU : Fall 2015, Electric Circuits

## Cramer's Rule (4)

Evaluating each determinant, we get:

$$\Delta = \begin{vmatrix} 2 & 1 & 1 \\ 1 & -1 & -1 \\ 1 & 2 & 1 \end{vmatrix} = 1(2+1) - -1(4-1) + 1(-2-1) = 3+3-3=3$$

$$\Delta_x = \begin{vmatrix} 3 & 1 & 1 \\ 0 & -1 & -1 \\ 0 & 2 & 1 \end{vmatrix} = 3(-1+2)=3$$

$$\Delta_y = \begin{vmatrix} 2 & 3 & 1 \\ 1 & 0 & -1 \\ 1 & 0 & 1 \end{vmatrix} = -3(1+1)=-6$$

$$\Delta_z = \begin{vmatrix} 2 & 1 & 3 \\ 1 & -1 & 0 \\ 1 & 2 & 0 \end{vmatrix} = 3(2+1)=9$$

Dr. Ahmed ElShafee, ACU : Fall 2015, Electric Circuits

## Cramer's Rule (5)

Cramer's Rule says that  $x = \Delta_x \div \Delta$ ,  $y = \Delta_y \div \Delta$ , and  $z = \Delta_z \div \Delta$ .

That is:

$$x = 3/3 = 1, \quad y = -6/3 = -2, \quad \text{and} \quad z = 9/3 = 3$$

**Done.**

Dr. Ahmed ElShafee, ACU : Fall 2015, Electric Circuits

## Introduction

- nodal analysis, is based on a systematic application of Kirchhoff's current law (KCL),
- mesh analysis, is based on a systematic application of Kirchhoff's voltage law (KVL)
- You can analyze any linear circuit by obtaining a set of simultaneous equations that are then solved to obtain the required values of current or voltage.
- One method of solving simultaneous equations involves Cramer's rule,

Dr. Ahmed ElShafee, ACU : Fall 2015, Electric Circuits

# Nodal Analysis

1. Determine the non-reference nodes.
2. Define reference node, connect it to ground.
3. Define voltage at all other nodes, relative to reference node.
4. Apply KCL at these nodes, to find its reference voltage (assuming that all current leaving the node).
5. Transform back reference (nodal) voltages to the normal voltage drop.

9

Dr. Ahmed ElShafee, ACU : Fall 2015, Electric Circuits

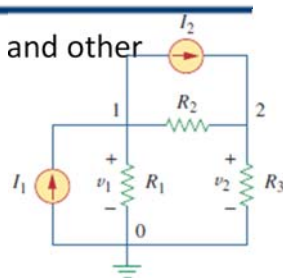
## Steps to Determine Node Voltages:

1. Select a node as the reference node. Assign voltages  $v_1, v_2, \dots, v_{n-1}$  to the remaining  $n - 1$  nodes. The voltages are referenced with respect to the reference node.
2. Apply KCL to each of the  $n - 1$  nonreference nodes. Use Ohm's law to express the branch currents in terms of node voltages.
3. Solve the resulting simultaneous equations to obtain the unknown node voltages.

10

Dr. Ahmed ElShafee, ACU : Fall 2015, Electric Circuits

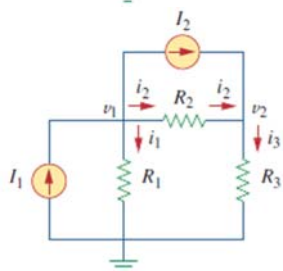
- The first step select reference node (ground), and other relative (nonreference) nodes



- applying KCL

@ 1  $I_1 = I_2 + i_1 + i_2$

@2  $I_2 + i_2 = i_3$



11

Dr. Ahmed ElShafee, ACU : Fall 2015, Electric Circuits

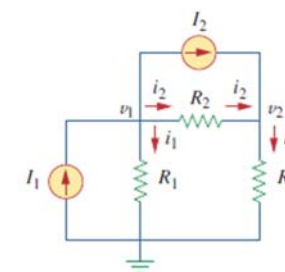
- apply Ohm's law to express the unknown currents

$$i = \frac{v_{\text{higher}} - v_{\text{lower}}}{R}$$

$$i_1 = \frac{v_1 - 0}{R_1}$$

$$i_2 = \frac{v_1 - v_2}{R_2}$$

$$i_3 = \frac{v_2 - 0}{R_3}$$

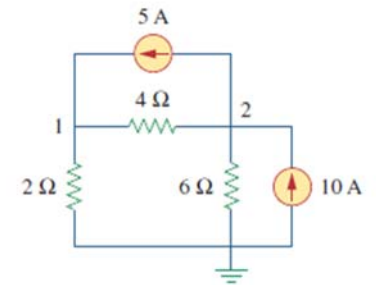


12

Dr. Ahmed ElShafee, ACU : Fall 2015, Electric Circuits

# Example 01

- Calculate the node voltages in the circuit shown in Fig.



١٤

Dr. Ahmed ElShafee, ACU : Fall 2015, Electric Circuits

- Substituting

$$I_1 = I_2 + \frac{v_1}{R_1} + \frac{v_1 - v_2}{R_2}$$

$$I_2 + \frac{v_1 - v_2}{R_2} = \frac{v_2}{R_3}$$

- Solving above equation together to get  $v_1$ , and  $v_2$

١٣

Dr. Ahmed ElShafee, ACU : Fall 2015, Electric Circuits

## KCL@1

$$\frac{-v_1}{2} - \frac{v_1 - v_2}{4} + 5 = 0 \quad \times 4$$

$$-2v_1 - v_1 + v_2 + 20 = 0$$

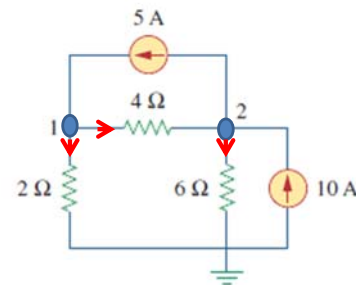
$$-3v_1 + v_2 = -20 \quad \rightarrow 1$$

## KCL@2

$$\frac{v_1 - v_2}{4} - \frac{v_2}{6} + 10 - 5 = 0 \quad \times 12$$

$$3v_1 - 3v_2 - 2v_2 + 60 = 0$$

$$3v_1 - 5v_2 = -60 \quad \rightarrow 2$$



١٥

Dr. Ahmed ElShafee, ACU : Fall 2015, Electric Circuits

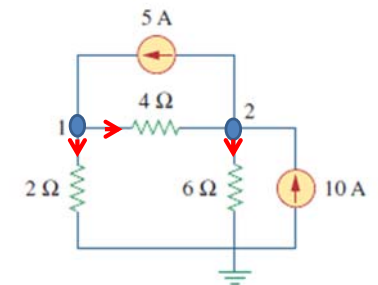
## Add 1,2

$$-4v_2 = -80$$

$$v_2 = 20 \text{ volts}$$

## Sub in 1

$$v_1 = \frac{+20 + v_2}{3} = \frac{+40}{3} = 13.33 \text{ volt}$$

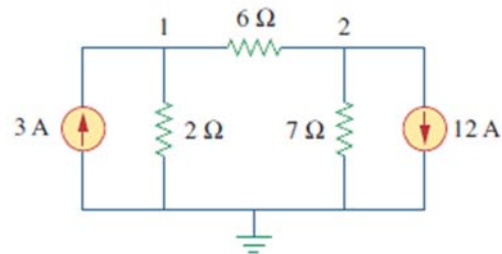


١٦

Dr. Ahmed ElShafee, ACU : Fall 2015, Electric Circuits

## Example 02

- Obtain the node voltages in the circuit



kcl@1

$$3 - \frac{v_1}{2} - \frac{v_1 - v_2}{6} = 0$$

$$-3v_1 - v_1 + v_2 = -18$$

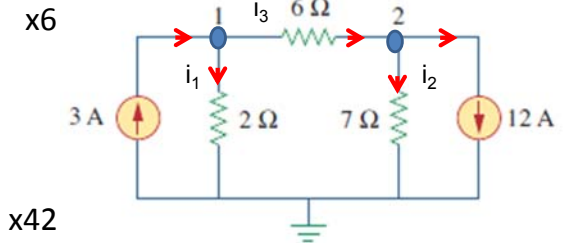
$$-4v_1 + v_2 = -18 \rightarrow 1$$

kcl@2

$$\frac{v_1 - v_2}{6} - \frac{v_2}{7} - 12 = 0$$

$$7v_1 - 7v_2 - 6v_2 = 504$$

$$7v_1 - 13v_2 = 504 \rightarrow 2$$



Mul 1 x 13 add to 2

$$-52v_1 + 13v_2 = -234$$

$$7v_1 - 13v_2 = 504$$

$$-45v_1 = 270$$

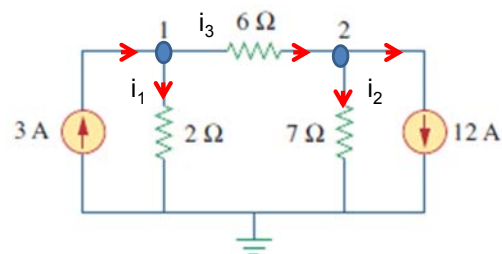
$$v_1 = 6 \text{ volt}$$

Sub @ 1

$$v_2 = -18 + 4(-6)$$

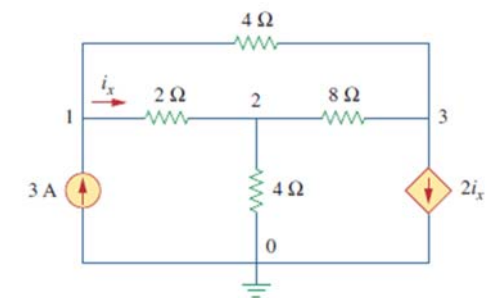
$$= -18 - 24$$

$$= -42 \text{ volt}$$



## Example 03

- Determine the voltages at the nodes in Fig.



kcl@1

$$+3 - \frac{v1-v2}{2} - \frac{v1-v3}{4} = 0 \quad \times 4$$

$$12 - 2v1 + 2v2 - v1 + v3 = 0$$

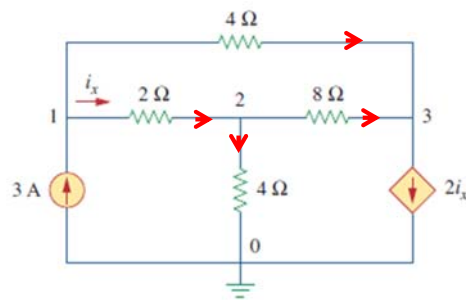
$$-3v1 + 2v2 + v3 = -12 \quad \rightarrow 1$$

kcl@2

$$\frac{v1-v2}{2} - \frac{v2}{4} - \frac{v2-v3}{8} = 0 \quad \times 8$$

$$4v1 - 4v2 - 2v2 - v2 + v3 = 0$$

$$4v1 - 7v2 + v3 = 0 \quad \rightarrow 3$$



Kcl@3

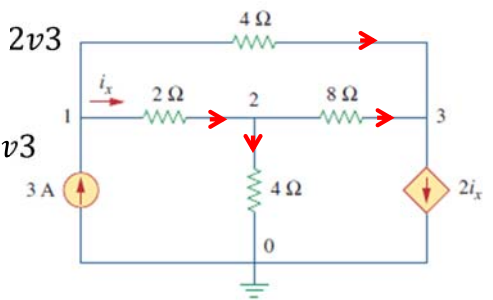
$$\frac{v2-v2}{8} - 2i_x + \frac{v1-v3}{4} = 0 \quad \times 8$$

$$v2 - v3 - 8\left(\frac{v1-v2}{2}\right) + 2v1 - 2v3 = 0$$

$$v2 - v3 - 8v1 + 8v2 + 2v1 - 2v3 = 0$$

$$-6v1 + 9v2 - 3v3 = 0 \quad /3$$

$$-2v1 + 3v2 - v3 = 0 \quad \rightarrow 3$$

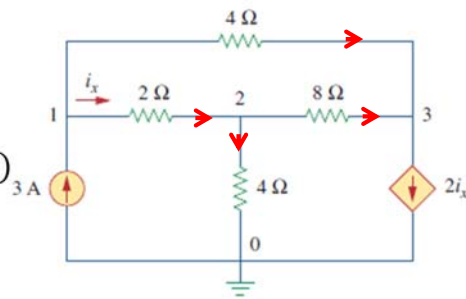


$$\begin{bmatrix} -3 & 2 & 1 \\ 4 & -7 & 1 \\ -2 & 3 & -1 \end{bmatrix} \begin{bmatrix} v1 \\ v2 \\ v3 \end{bmatrix} = \begin{bmatrix} -12 \\ 0 \\ 0 \end{bmatrix}$$

$$\Delta = \begin{bmatrix} -3 & 2 & 1 \\ 4 & -7 & 1 \\ -2 & 3 & -1 \end{bmatrix}$$

$$= 1(12 - 14) - 1(-9 + 4) - 1(21 - 8) = -10$$

$$\Delta 1 = \begin{bmatrix} 12 & 2 & 1 \\ 0 & -7 & 1 \\ 0 & 3 & -1 \end{bmatrix} = -12(7 - 3) = -48$$



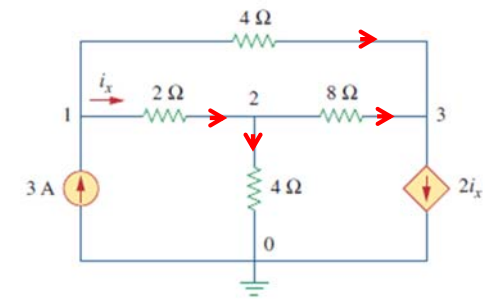
$$\Delta 2 = \begin{bmatrix} -3 & -12 & 1 \\ 4 & 0 & 1 \\ -2 & 0 & -1 \end{bmatrix}$$

$$= -12(-4 + 2) = -24$$

$$\Delta 3 = \begin{bmatrix} -3 & 2 & -12 \\ 4 & -7 & 0 \\ -2 & 3 & 0 \end{bmatrix}$$

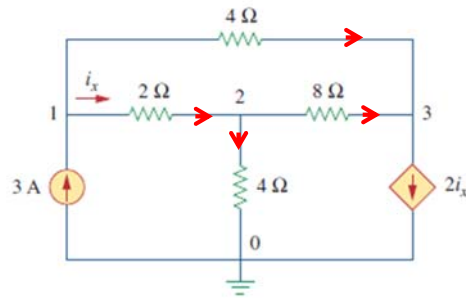
$$= -12(12 - 14) = 24$$

$$v1 = \frac{\Delta 1}{\Delta} = \frac{-48}{-10} = 4.8$$



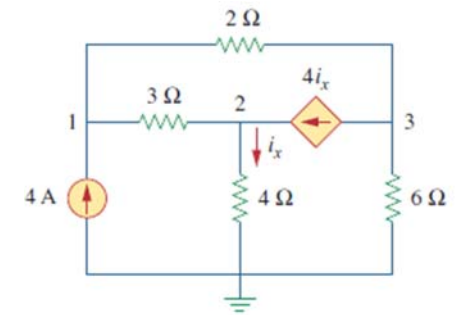
$$v_2 = \frac{\Delta_2}{\Delta} = \frac{-24}{-10} = 2.4$$

$$v_3 = \frac{\Delta_3}{\Delta} = \frac{24}{-10} = -2.4$$



## Example 04

- Find the voltages at the three nonreference nodes in the circuit of Fig.



٢٥

Dr. Ahmed ElShafee, ACU : Fall 2015, Electric Circuits

٢٦

Dr. Ahmed ElShafee, ACU : Fall 2015, Electric Circuits

kcl@1

$$4 - \frac{v_1 - v_2}{3} - \frac{v_1 - v_3}{2} = 0 \quad \times 6$$

$$-2v_1 + 2v_2 - 3v_1 + 3v_3 = -24$$

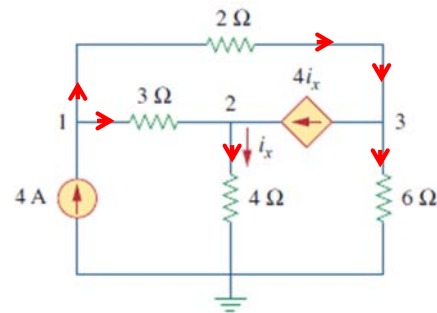
$$-5v_1 + 2v_2 + 3v_3 = -24 \quad \rightarrow 1$$

kcl@2

$$\frac{v_1 - v_2}{3} - \frac{v_2}{4} + 4\left(\frac{v_2}{4}\right) = 0 \quad \times 12$$

$$4v_1 - 4v_2 - 3v_2 + 12v_2 = 0$$

$$4v_1 - 5v_2 = 0 \quad \rightarrow 2$$



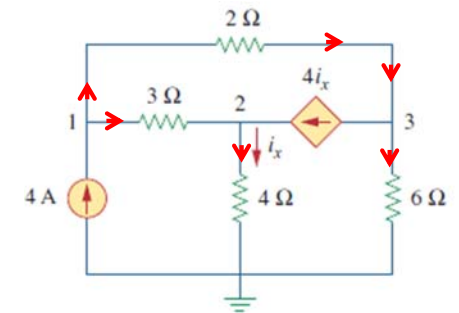
kcl@3

$$\frac{v_1 - v_3}{2} - 4\frac{v_2}{4} - \frac{v_3}{6} = 0 \quad \times 12$$

$$6v_1 - 6v_3 - 12v_2 - 2v_3 = 0$$

$$6v_1 - 12v_2 - 8v_3 = 0 \quad \rightarrow 3$$

$$\begin{pmatrix} -5 & 2 & 3 \\ 4 & 5 & 0 \\ 6 & -12 & -8 \end{pmatrix} \begin{pmatrix} v_1 \\ v_2 \\ v_3 \end{pmatrix} = \begin{bmatrix} -24 \\ 0 \\ 0 \end{bmatrix}$$



٢٧

Dr. Ahmed ElShafee, ACU : Fall 2015, Electric Circuits

٢٨

Dr. Ahmed ElShafee, ACU : Fall 2015, Electric Circuits

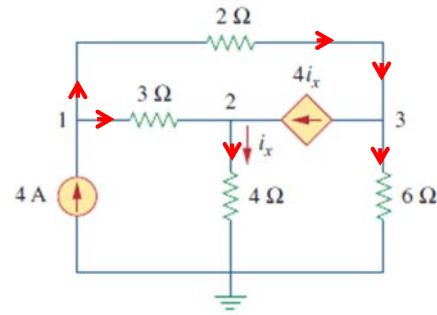
$$\Delta = \begin{pmatrix} -5 & 2 & 3 \\ 4 & 5 & 0 \\ 6 & -12 & -8 \end{pmatrix}$$

$$= 3(-48 - 30) - 8(-25 - 8) = -30$$

$$\Delta 1 = \begin{pmatrix} -24 & 2 & 3 \\ 0 & 5 & 0 \\ 0 & -12 & -8 \end{pmatrix}$$

$$= -24(-40) = 960$$

$$V1 = \frac{\Delta 1}{\Delta} = 32 \text{ volt}$$



$$\Delta 2 = \begin{pmatrix} -5 & -24 & 3 \\ 4 & 0 & 0 \\ 6 & 0 & -8 \end{pmatrix}$$

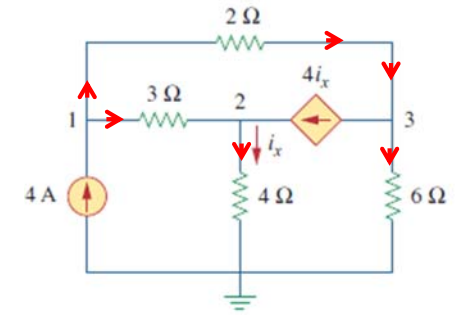
$$= 24(-32) = -768$$

$$V2 = -25.6 \text{ volt}$$

$$\Delta 3 = \begin{pmatrix} -5 & 2 & -24 \\ 4 & 5 & 0 \\ 6 & -12 & 0 \end{pmatrix}$$

$$= -24(-30 - 48) = -1872$$

$$V3 = 62.4 \text{ volt}$$



٢٩

Dr. Ahmed ElShafee, ACU : Fall 2015, Electric Circuits

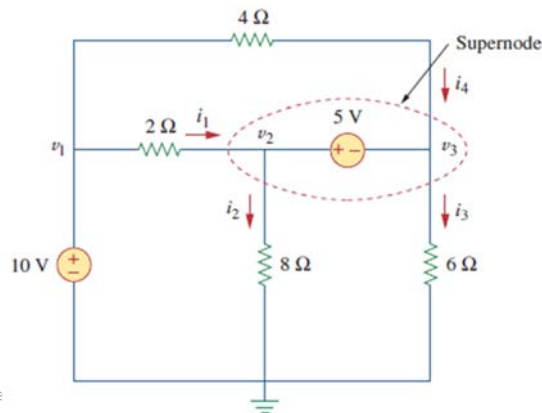
٣٠

Dr. Ahmed ElShafee, ACU : Fall 2015, Electric Circuits

## Nodal Analysis with Voltage Sources

- CASE 1** If a voltage source is connected between the reference node and a nonreference node, we simply set the voltage at the nonreference node equal to the voltage of the voltage source.

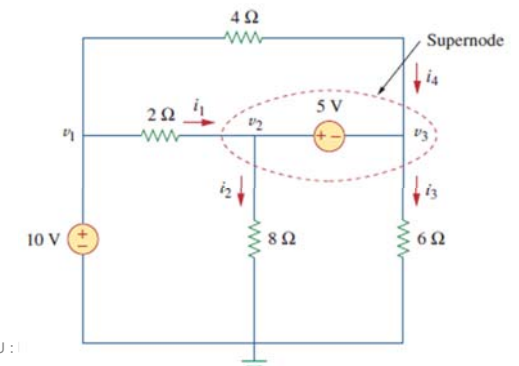
$$v_1 = 10 \text{ V}$$



٣١

Dr. Ahmed ElShafee

- CASE 2** If the voltage source (dependent or independent) is connected between two nonreference nodes, the two nonreference nodes form a *generalized node* or *supernode*; we apply both KCL and KVL to determine the node voltages.



٣٢

Dr. Ahmed ElShafee, ACU :



- applying KCL

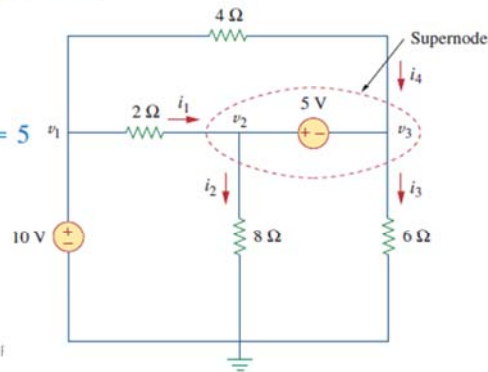
$$i_1 + i_4 = i_2 + i_3$$

- Ohm's law

$$\frac{v_1 - v_2}{2} + \frac{v_1 - v_3}{4} = \frac{v_2 - 0}{8} + \frac{v_3 - 0}{6}$$

- apply Kirchoff's voltage law

$$-v_2 + 5 + v_3 = 0 \Rightarrow v_2 - v_3 = 5$$



٣٣

Dr. Ahmed ElShafee, ACU : f

- Super node rules:

1. The voltage source inside the supernode provides a constraint equation needed to solve for the node voltages.
2. A supernode has no voltage of its own.
3. A supernode requires the application of both KCL and KVL.

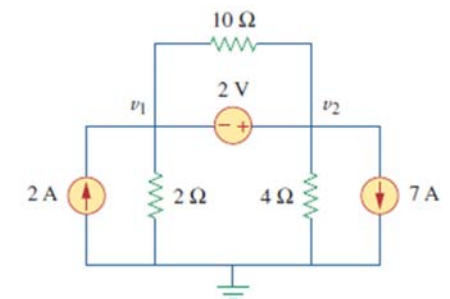
٣٤

Dr. Ahmed ElShafee, ACU : Fall 2015, Electric Circuits

- A supernode is formed by enclosing a (dependent or independent) voltage source connected between two nonreference nodes and any elements connected in parallel with it.

## Example 05

- For the circuit shown in Fig., find the node voltages.



٣٥

Dr. Ahmed ElShafee, ACU : Fall 2015, Electric Circuits

٣٦

Dr. Ahmed ElShafee, ACU : Fall 2015, Electric Circuits

kcl@1

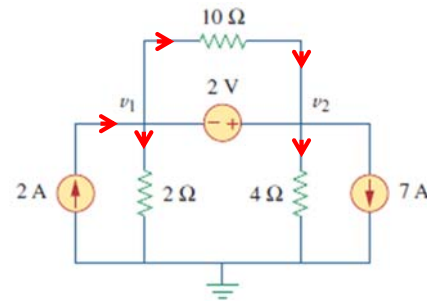
$$+2 - \frac{v_1}{2} - \frac{v_1 - v_2}{10} - 7 - \frac{v_2}{4}$$
$$+ - \frac{v_1 - v_2}{10} = 0$$

$$2 - \frac{v_1}{2} - \frac{v_2}{4} = 0 \times 4$$

$$2v_1 + v_2 = -20 \rightarrow 1$$

kvl@ super node 1,2

$$v_1 - v_2 = -2 \rightarrow 2$$



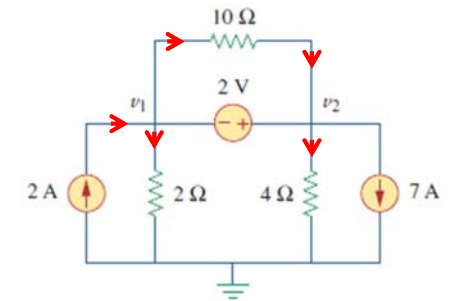
Add 1, 2

$$3v_1 = -22$$

$$v_1 = -7.33 \text{ volt}$$

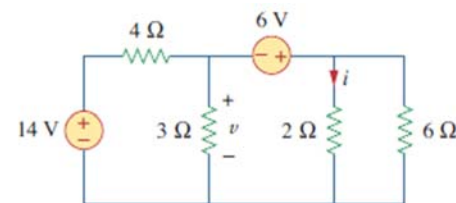
Sub in 2

$$v_2 = -7.33 + 2 = -5.33 \text{ volt}$$



## Example 06

- Find  $v$  and  $i$  in the circuit of Fig



kcl@super1,2

$$\frac{14 - v_1}{4} - \frac{v_1}{3} - \frac{v_2}{2} - \frac{v_2}{6} = 0 \quad \times 12$$

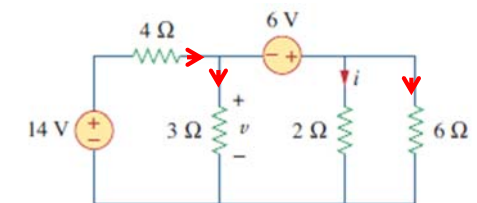
$$42 - 3v_1 - 4v_1 - 6v_2 - 2v_2 = 0$$

$$-7v_1 - 8v_2 = -42$$

$$7v_1 + 8v_2 = 42 \rightarrow 1$$

kvl@super1,2

$$v_2 - v_1 = 6 \rightarrow 2$$



Multiply 2 x 7 add to 1

$$-7v_1 + 7v_2 = 42$$

$$7v_1 + 8v_2 = 42$$

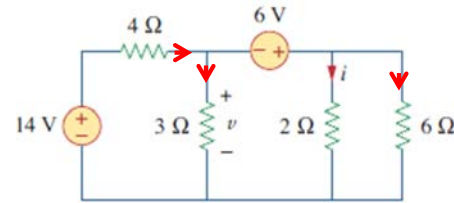
$$15v_2 = 84$$

$$v_2 = 5.6 \text{ volt}$$

$$i = \frac{v_2}{2} = 2.8 \text{ Amp}$$

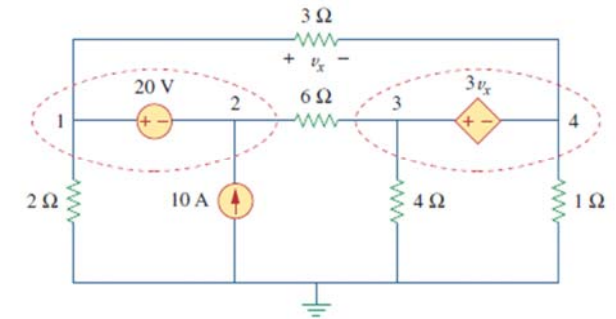
Sub in 2

$$v_1 = v_2 - 6 = -0.4 \text{ Amp}$$



## Example 07

- Find the node voltages in the circuit of Fig



kcl@ super 1,2

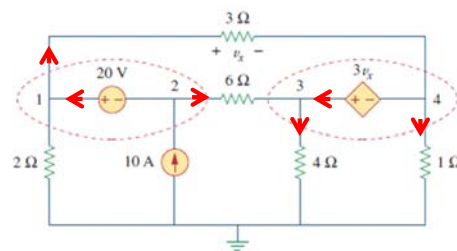
$$-\frac{v_1}{2} + 10 - \frac{v_1 - v_4}{3} - \frac{v_2 - v_3}{6}$$

$$= 0 \times 6$$

$$-3v_1 + 60 - 2v_1 + 2v_4 - v_2 + v_3 = 0$$

$$-5v_1 - v_2 + v_3 + 2v_4 = -60$$

$$\rightarrow 1$$



kvl@super 1,2

$$20 = v_1 - v_2$$

$$v_2 = v_1 - 20 \rightarrow 2$$

kcl@super 3,4

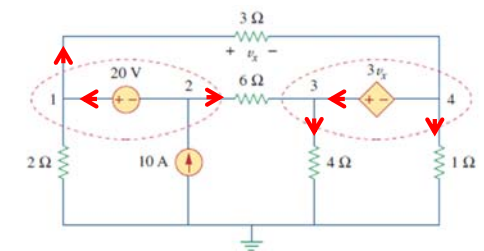
$$-\frac{v_4}{1} + \frac{v_1 - v_2}{3} - \frac{v_3}{4} + \frac{v_2 - v_3}{6} = 0$$

$$\times 12$$

$$-12v_4 + 4v_1 - 4v_4 - 3v_3 + 2v_2 - 2v_3 = 0$$

$$4v_1 + 2v_2 - 5v_3 - 16v_4 = 0$$

$$\rightarrow 3$$



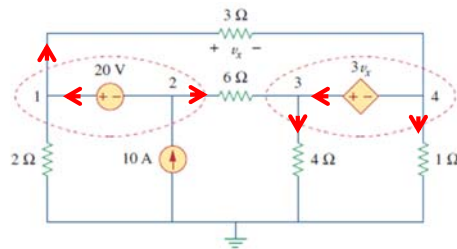
kvl@super 3,4

$$3v_x = v_3 - v_4$$

But  $v_x = v_1 - v_4$

$$3v_1 - 3v_4 = v_3 - v_4$$

$$3v_1 - v_3 - 2v_4 = 0 \rightarrow 4$$



Sub 2 in 1,3

$$-5v_1 - v_1 + 20 + v_3 + 2v_4 = -60$$

$$-6v_1 + v_3 + 2v_4 = -80 \rightarrow 5$$

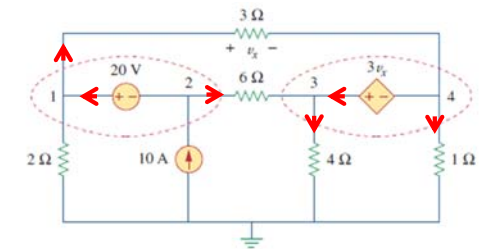
kvl@super 3,4

$$3v_x = v_3 - v_4$$

But  $v_x = v_1 - v_4$

$$3v_1 - 3v_4 = v_3 - v_4$$

$$3v_1 - v_3 - 2v_4 = 0 \rightarrow 4$$



Sub 2 in 1

$$-5v_1 - v_1 + 20 + v_3 + 2v_4 = -60$$

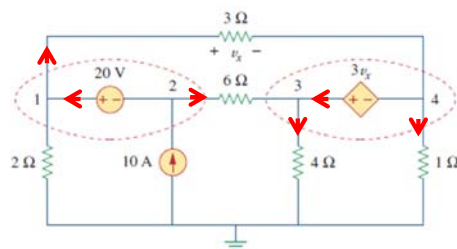
$$-6v_1 + v_3 + 2v_4 = -80 \rightarrow 5$$

Sub 2 in 3

$$+4v_1 + 2v_1 - 40 - 5v_3 - 16v_4 = 0$$

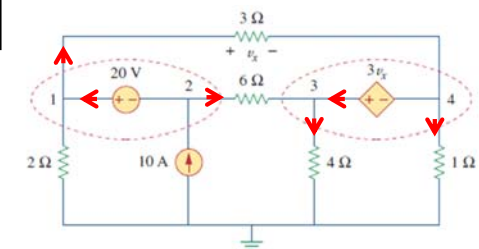
$$6v_1 - 5v_3 - 16v_4 = 40 \rightarrow 6$$

$$\begin{bmatrix} 3 & -1 & -2 \\ -6 & 1 & 2 \\ 6 & -5 & 16 \end{bmatrix} \begin{bmatrix} v_1 \\ v_2 \\ v_3 \end{bmatrix} = \begin{bmatrix} 0 \\ -80 \\ 40 \end{bmatrix}$$



$$\begin{bmatrix} 3 & -1 & -2 \\ -6 & 1 & 2 \\ 6 & -5 & 16 \end{bmatrix} \begin{bmatrix} v_1 \\ v_2 \\ v_3 \end{bmatrix} = \begin{bmatrix} 0 \\ -80 \\ 40 \end{bmatrix}$$

$$\Delta = \begin{bmatrix} 3 & -1 & -2 \\ -6 & 1 & 2 \\ 6 & -5 & 16 \end{bmatrix} = 1(96 - 12) + 1(-48 + 12) + 5(6 - 12) = 18$$

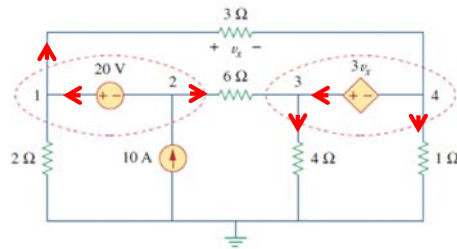


$$\Delta 1 = \begin{bmatrix} 0 & -1 & -2 \\ -80 & 1 & 2 \\ 40 & -5 & 16 \end{bmatrix}$$

$$= 80(16 - 10)$$

$$+ 40(-2 + 2) = 480$$

$$v1 = \frac{\Delta 1}{\Delta} = \frac{480}{18} = 26.67 \text{ volt}$$



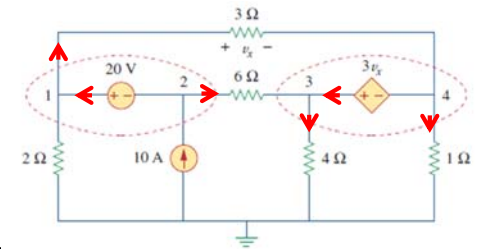
$$\Delta 2 = \begin{bmatrix} 3 & 0 & -2 \\ -6 & -80 & 2 \\ 6 & 40 & 16 \end{bmatrix}$$

$$= -80(-48 + 12)$$

$$- 40(6 - 12)$$

$$= 2880 + 240 = 3120$$

$$v2 = \frac{\Delta 2}{\Delta} = \frac{3120}{18} = 173.33 \text{ volt}$$



$$\Delta 3 = \begin{bmatrix} 3 & -1 & 0 \\ -6 & 1 & -80 \\ 6 & -5 & 40 \end{bmatrix}$$

$$= 80(-15 + 6)$$

$$+ 40(3 - 6)$$

$$= -720 - 120 = -840$$

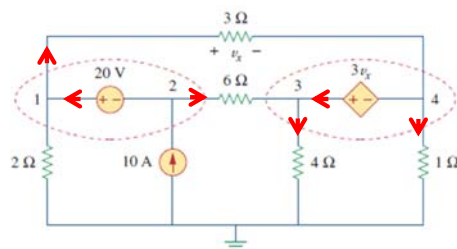
$$v3 = \frac{\Delta 3}{\Delta} = \frac{-840}{18}$$

$$= -46.67 \text{ volt}$$

Sun in 2

$$v2 = v1 - 20 = 26.67 - 20$$

$$= 6.67 \text{ volt}$$



Thanks,..  
See you next week (ISA),...